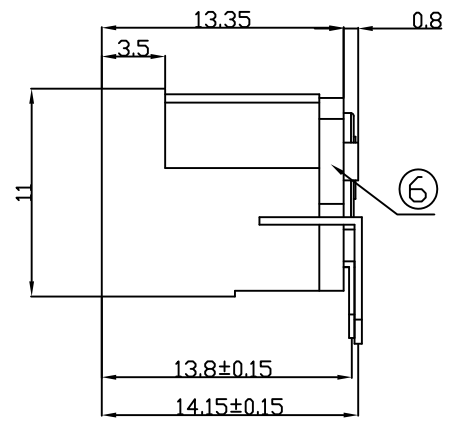
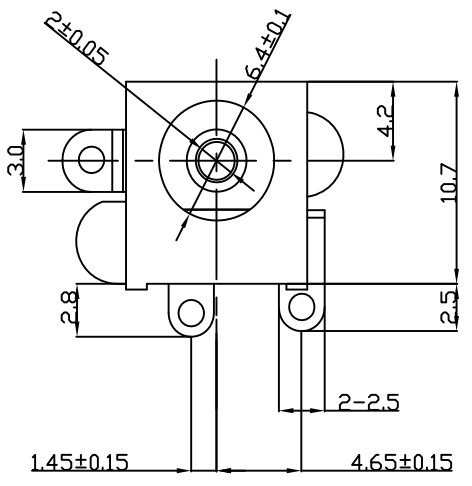
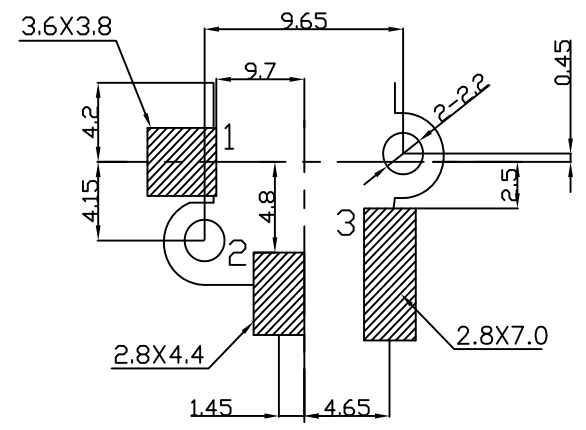
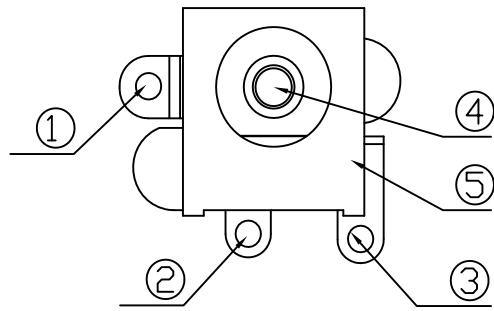
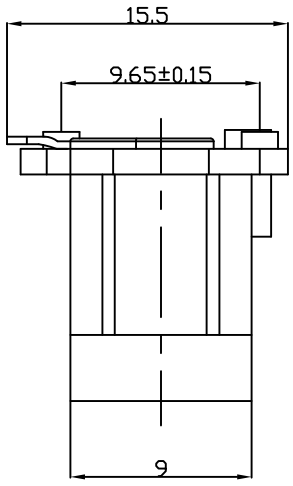


REV	DESCRIPTION	DATE
A	Initial Release	06'.06.14

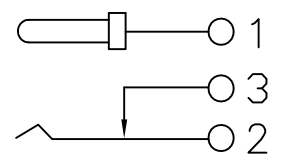
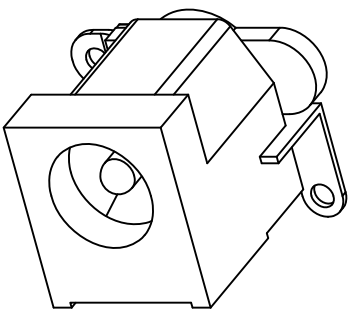


T:1.6 Dimensions of PC board holes
Tolerance : ±0.1(Printed-top view)

PART NO.	PIN DIA.
DJ-020-SM-25A	2.0
DJ-020-SM-25B	2.5

LEAD FREE

LTR	PART NAME	QTY	MATERIAL	REMARK
6	COVER	1	PA9T	UL-94V0(BLACK)
5	HOUSING	1	PA9T	UL-94V0(BLACK)
4	PIN	1	H59 ϕ 2.0	MB:Cu CuSn PLATED
3	TERMINAL	1	C2680 t=0.40	MB:Cu Ag PLATED
2	TERMINAL	1	C5191 t=0.30	MB:Cu Ag PLATED
1	TERMINAL	1	C2680 t=0.40	MB:Cu Ag PLATED



CIRCUIT DIAGRAM

UNLESS OTHERWISE SPECIFIED
TOLERANCE ON DECIMAL
±0.2

PANSTRONG COMPANY LTD.				DRAWN BY		TOMMY			
				CHECKED					
TITLE:		DC POWER JACK		APPROVED					
PART NO:		DJ-020-SM-25X		DRAWING NO.					
SCALE		/		REV	A		UNIT	mm	