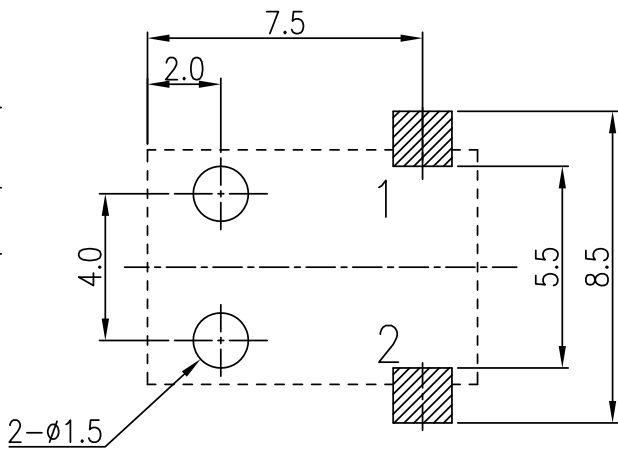
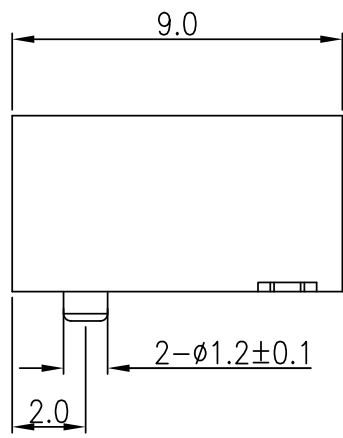
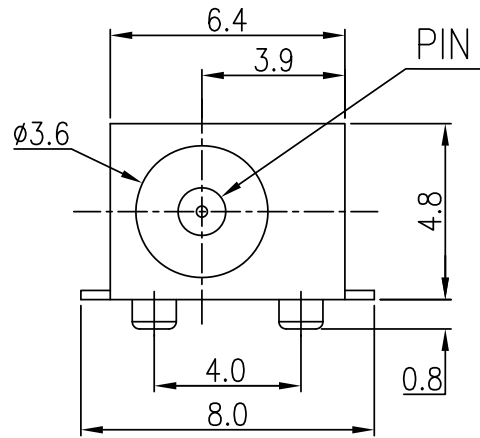
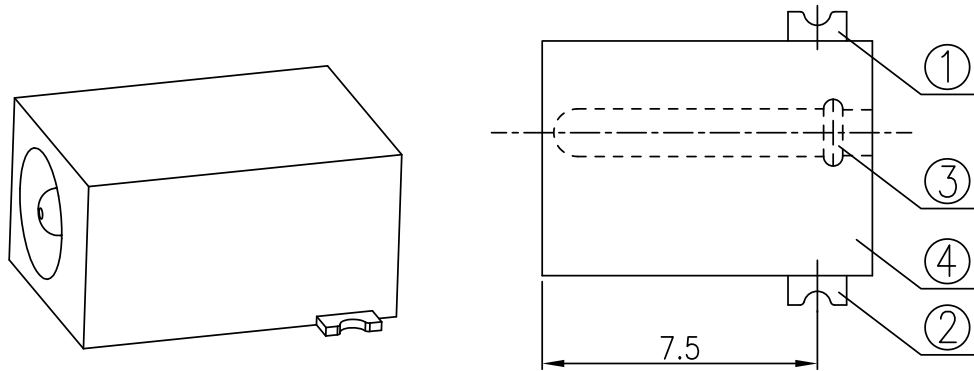


REV	DESCRIPTION	DATE
A	Initial Release	09'.04.20



T:1.6 Dimensions of PC board holes
Tolerance : ± 0.1 (Printed-top view)

SCHEMATIC		
DJ-020-SM-10A	$\phi 1.0$	1
DJ-020-SM-10B	$\phi 1.3$	2

UNLESS OTHERWISE SPECIFIED, TOLERANCE ON DECIMAL: ± 0.2

LTR	PART NAME	QTY	MATERIAL	REMARK
4	HOUSING	1	PA9T	UL-94V0(BLACK)
3	PIN	1	H59(COPPER ALLOY)	MB:Cu Ni PLATED
2	SPRING	1	C5191 t=0.25	MB:Cu Sn PLATED
1	CURVE PIECE	1	C2680 t=0.25	MB:Cu Sn PLATED

	PANSTRONG COMPANY LTD.		DRAWN BY	TOMMY
			CHECKED	
TITLE:	DC POWER JACK		APPROVED	
PART NO:	DJ-020-SM-10		DRAWING NO.	
SCALE	/	REV	A	UNIT mm