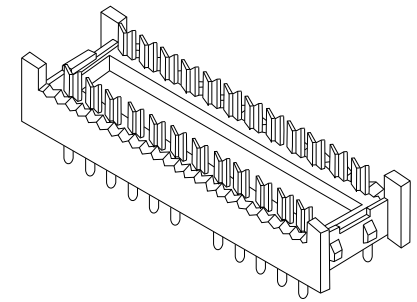
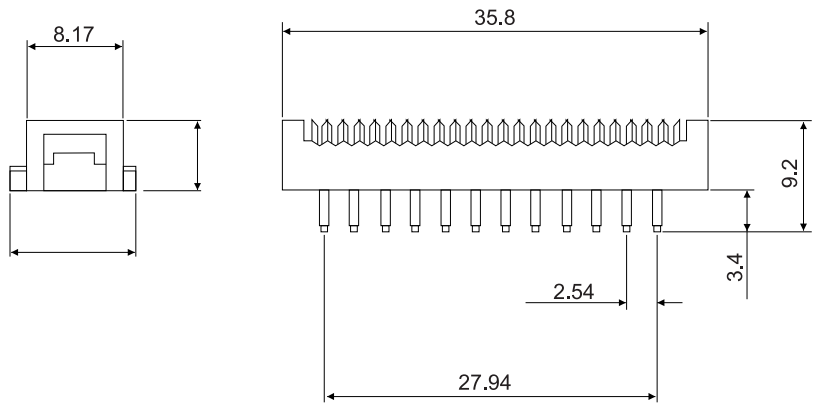
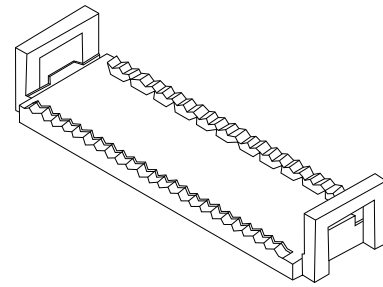
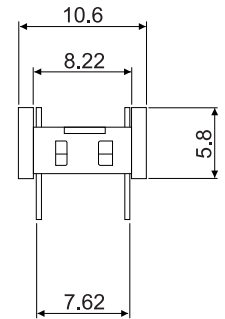
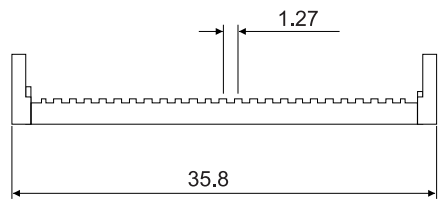
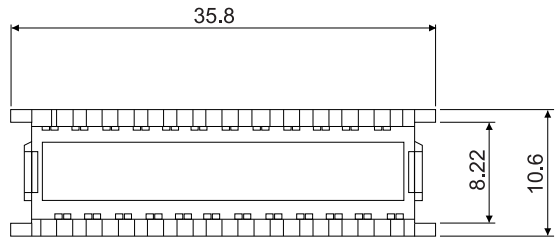
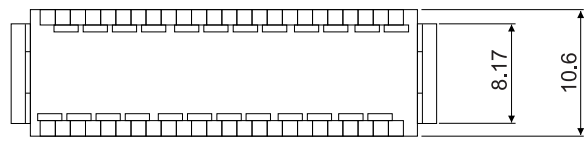


| REV | DESCRIPTION     | DATE     |
|-----|-----------------|----------|
| A   | Initial Release | 07.01.02 |

**MATERIALS:**  
**INSULATOR:** P.B.T.30%GLASS FIEER,UL94V-0  
**COLOR:** BLACK, YELLOW, RED, BLUE, GREEN, GREY, WHITE, ORANGE  
**CONTACTS:**BRASS OR PHOSPHOR BRONZE, GOLD FLASH OVER NICKEL  
**ELECTRICAL:**  
**CURRENT RATING:**1AMP.  
**INSULATION RESISTANCE:**1000M Ω MIN.  
**DIELECTRIC WITHSTANDING:**500VAC  
**OPERATING TEMPERATURE:**-55°C~+105°C



| TOLERANCE |      |
|-----------|------|
| x         | ±0.2 |
| .x        | ±0.2 |
| .xx       | ±0.2 |

|                        |  |    |  |                       |  |       |  |   |  |
|------------------------|--|----|--|-----------------------|--|-------|--|---|--|
| PANSTRONG COMPANY LTD. |  |    |  | DRAWN BY              |  | TOMMY |  |   |  |
|                        |  |    |  | CHECKED               |  |       |  |   |  |
| TITLE:                 |  |    |  | DIP Plug 24P(0.1x0.3) |  |       |  |   |  |
| PART NO:               |  |    |  | APPROVED              |  |       |  |   |  |
| SCALE                  |  |    |  | 1:1                   |  | REV   |  | A |  |
| UNIT                   |  | mm |  | DRAWING NO.           |  |       |  |   |  |
|                        |  |    |  |                       |  |       |  |   |  |