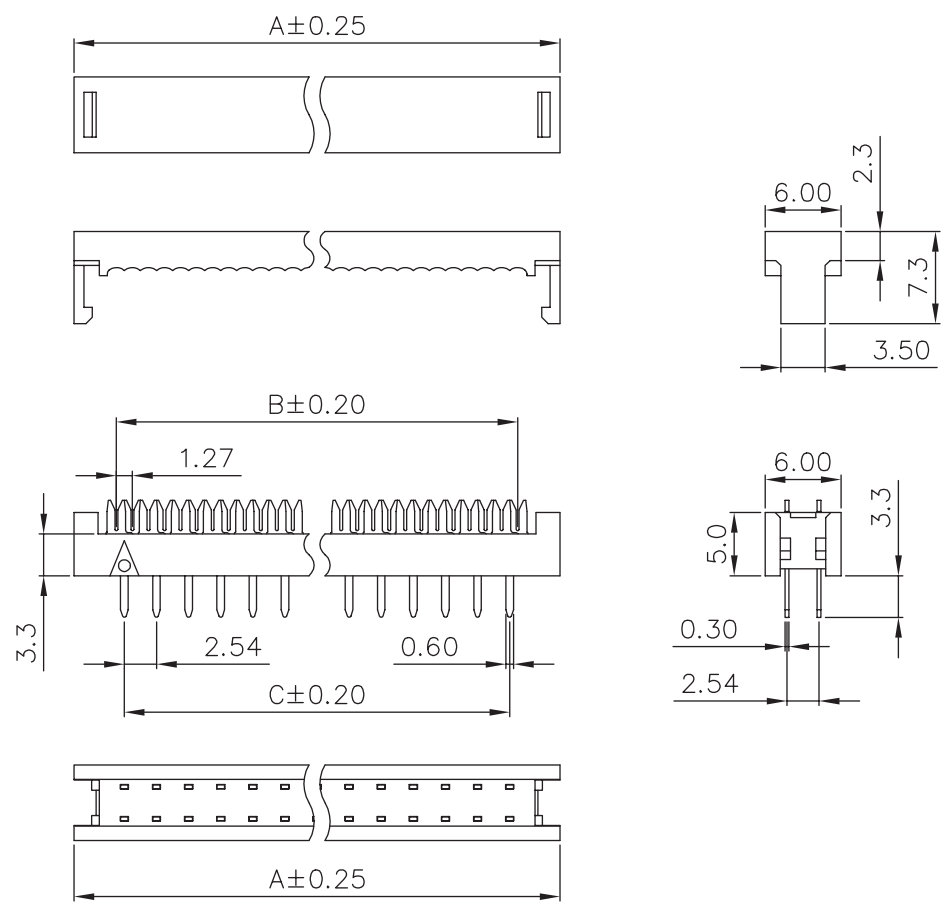
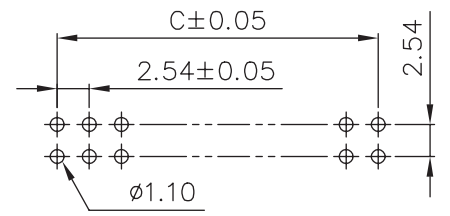


REV	DESCRIPTION	DATE
A	Initial Release	06.01.13



Pos.	Dim. A	Dim. B	Dim. C
6	13.07	6.35	5.08
8	15.61	8.89	7.62
10	18.15	11.43	10.16
12	20.69	13.97	12.70
14	23.23	16.51	15.24
16	25.77	19.05	17.78
18	28.31	21.59	20.32
20	30.85	24.13	22.86
24	35.93	29.21	27.94
26	38.47	31.75	30.48
30	43.55	36.83	35.56
34	48.63	41.91	40.64
36	51.17	44.45	43.18
40	56.25	49.53	48.26
50	68.95	62.23	60.96
60	81.65	74.93	73.66
64	86.73	80.01	78.74



RECOMMEND P.C. BOARD LAYOUT

Material:
 Insulator: PBT+30% Glass Fiber (UL94V-0).
 Contact: Copper Alloy.
 Contact Plated: Gold or Tin over Nickel Plated.

Specification:
 Current Rating: 1 Amp.
 Withstanding Voltage: AC 500V for 1 Minute.
 Insulation Resistance: 1000MΩ Min. at DC 500V.
 Contact Resistance: 15mΩ Max..
 Operating Temperature: -40°C ~ +105°C.

PANSTRONG COMPANY LTD.				DRAWN BY		TOMMY
				CHECKED		
TITLE:		2.54mm Transition IDC Connector		APPROVED		
PART NO:		DIP**M0102K00E		DRAWING NO.		
SCALE	/	REV	A	UNIT	mm	