

REV	DESCRIPTION	APPROVAL	DATE
	新制定		06.12.26

SPECIFICATIONS

Material

Insulator : PBT, glass reinforced, rated UL 94V-0

Contact : Brass

Electrical

Current Rating : 1 Amp

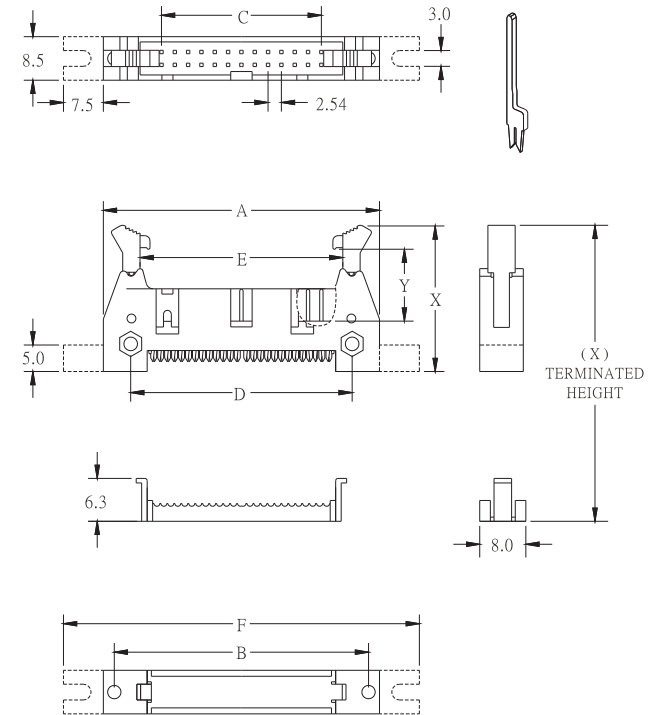
Contact Resistance : 30 mΩ max.

Insulation Resistance : 3000 MΩ min.

Dielectric Withstanding Voltage : 500V AC for 1minute

Operating Temperature : -40°C to +105°C

◆ Terminated with 1.27mm pitch flat ribbon cable.



POSITION	A	B	C	D	E	F
10	32.12	27.94	10.16	21.60	18.12	47.42
14	37.20	33.02	15.24	26.68	23.20	52.50
16	39.74	35.56	17.78	29.22	25.74	55.04
20	44.82	40.64	22.86	34.30	30.82	60.12
24	49.90	45.72	27.94	39.38	35.90	65.20
26	52.44	48.26	30.48	41.92	38.44	67.74
30	57.52	53.34	35.56	47.00	43.52	72.82
34	62.60	58.42	40.64	52.08	48.60	77.90
40	70.22	66.04	48.26	59.70	56.22	85.52
50	82.92	78.74	60.96	72.40	68.92	98.22
60	95.62	91.44	73.66	85.10	81.62	110.92
64	100.70	96.52	78.74	90.18	86.70	116.00

ACCESSORIES	X	Y
LONG LATCH	29.2	14.6
SHORT LATCH	25.6	10.6

HOW TO ORDER:

LHDC xx M 0102 G 00 x E
 1 2 3 4

1.NO. OF CONTACT	2. INSULATOR COLOR	3.CONTACT PLATING	4.SPECIAL FUNCTION
10 14 16 20 24	G : GREY	00 : GOLD FLASH	A: W LONG LATCH W EAR
26 30 34 40 50		05 : 5u" INCH GOLD	B: W SHORT LATCH W EAR
60 64		10 : 10u" INCH GOLD	C: W LONG LATCH W/O EAR
		15 : 15u" INCH GOLD	D: W SHORT LATCH W/O EAR
		30 : 30u" INCH GOLD	

 貝強實業有限公司 PANSTRONG COMPANY LTD.	DRAWN BY	TOMMY
	CHECKED	
TITLE:	SHROUDED HEADER IDC TYPE WITH STEEL SWIN-LOCK	
PART NO:	LHDCxxM0102G00xE	
DRAW. BOX NO:		
SCALE	REV	DRAW NO
UNIT	mm	