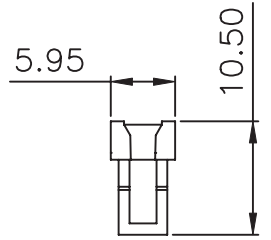
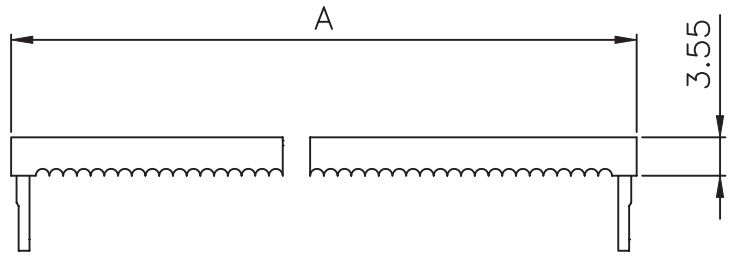
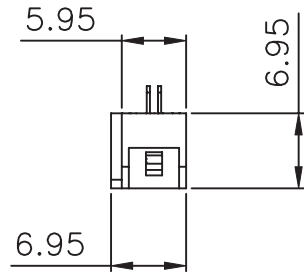
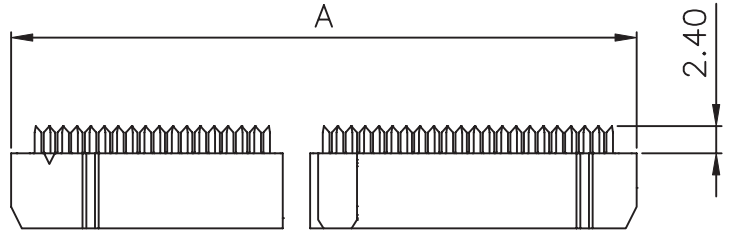


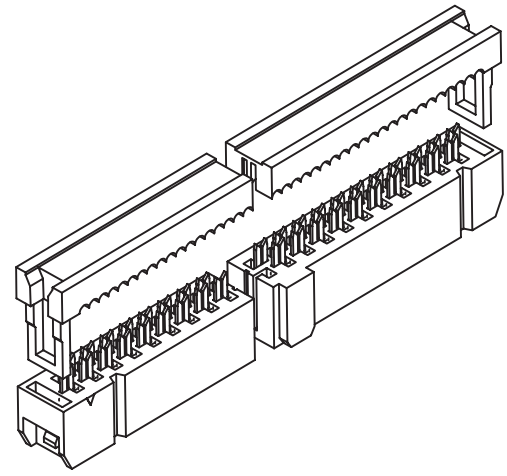
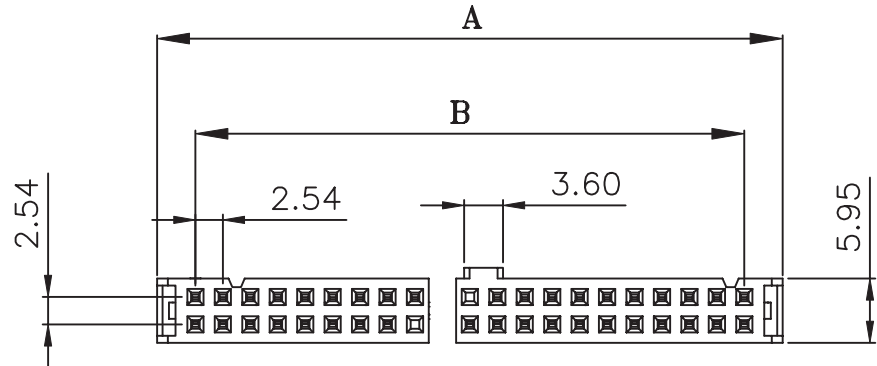
REV	DESCRIPTION	APPROVAL	DATE
B	新制定		06.12.26



MATERIALS:
INSULATOR:P. B. T. 30%GLASS FIBER, UL94V-0
CONTACT MATERIAL:BRASS OR PHOSPHOR BRONZE,
GOLD FLASH OVER NICKEL



ELECTRICAL:
CURRENT RATING:1AMP.
INSULATION RESISTANCE:1000M Ω MIN.
DIELECTRIC WITHSTANDING:500VAC
OPERATING TEMPERATURE:-55 °C~+105 °C



DIMENSION					
CONTACT	A	B	CONTACT	A	B
06P	12.18	05.08	24P	35.04	27.94
08P	14.72	07.62	26P	37.58	30.48
10P	17.26	10.16	30P	42.66	35.56
12P	19.80	12.70	34P	47.74	40.64
14P	22.34	15.24	36P	50.43	43.18
16P	24.88	17.78	40P	55.36	48.26
18P	27.42	20.32	44P	60.64	53.34
20P	29.96	22.86	50P	68.06	60.96

(RoHS Compliant)

DCxxF0102K00E

Contact Position 06...50

Contact Plating
 00: Tin Plating
 G1: Selective Gold Flash
 G2: Selective 10u" Gold
 G3: Selective 15u" Gold
 G4: Selective 30u" Gold

X	±0.2
.X	±0.2
.XX	±0.2

貝強實業有限公司 PANSTRONG COMPANY LTD.	DRAWN BY		TOMMY		
	CHECKED				
TITLE:		APPROVED			
PART NO:		DRAW NO			
DRAW. BOX NO:		UNIT		mm	
SCALE	1:1	REV	B		