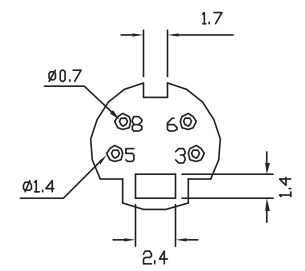
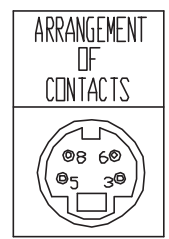
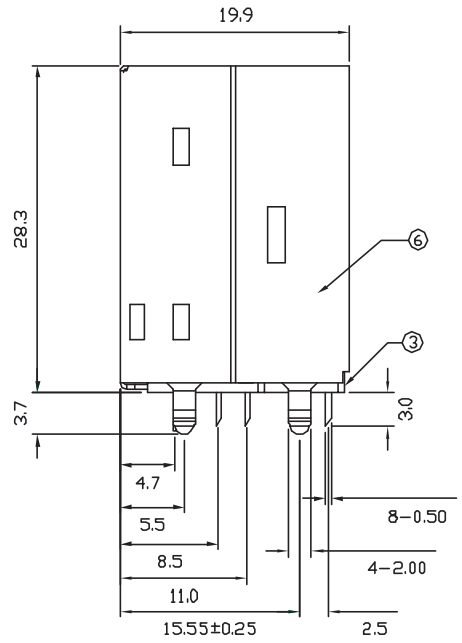
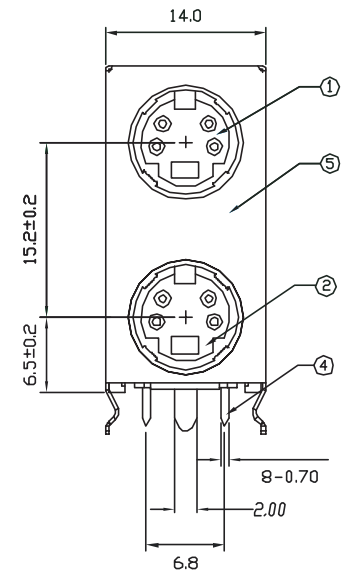
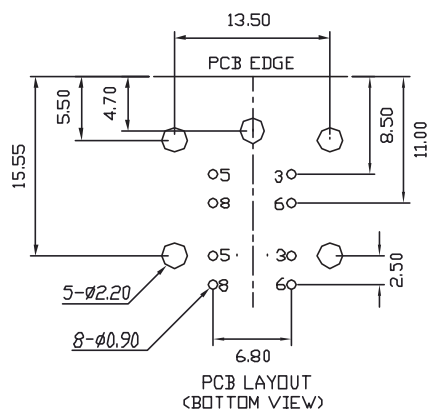


REV	DESCRIPTION	APPROVAL	DATE
A	Initial Release		07.12.18



Specification:  
 Contact Resistance: 30m Ohm Max.  
 Insulation Resistance: 100M Ohm Min. AT 500V DC  
 Rated Voltage And Current: DC12V. 2A Max; AC 100V. 1A Max  
 Dielectric Withstanding Voltage: 250V AC For 1 Minute  
 Durability(Life Test): 100 Cycles  
 Insertion Force: 4.0KG Maximum.  
 Extraction Force: 0.9KG Minimum.



NO.	NAME	MATERIAL	FINISH	REMARK	Q'TY
1	TOP HOUSING	PBT G.F.	BLACK		1
2	BOTTOM HOUSING	PBT G.F.	BLACK		1
3	BACK COVER	PBT G.F.	BLACK		1
4	CONTACT TERM.	PHOS. BRONZE	GOLD/TIN PLATED	Gold:1~3u"; NI:40~60u"; TIN:120u" (100% pure Tin of lead free plating)	8
5	FRONT SHIELD	BRASS	TIN PLATED	TIN:120~200u"	1
6	BACK SHIELD	BRASS	TIN PLATED	TIN:120~200u"	1



TOLERANCE	
X.	±0.38
X	±0.25
.XX	±0.13
.XXX	±0.05

				DRAWN BY		TOMMY	
				CHECKED			
TITLE:		MINI DIN JACK DUAL		APPROVED			
PART NO:		MDS01-4Fx2K01		DRAW NO			
File Number:							
SCALE	1:1	REV	A	UNIT	mm		