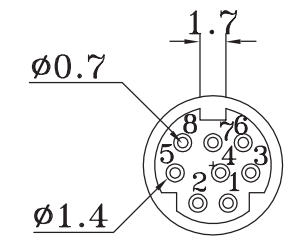
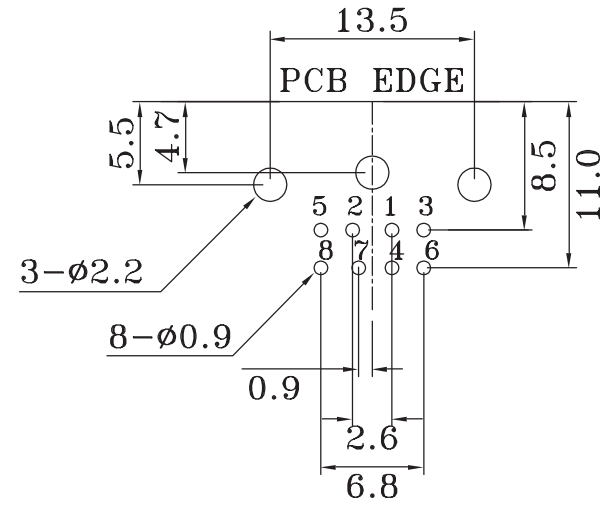
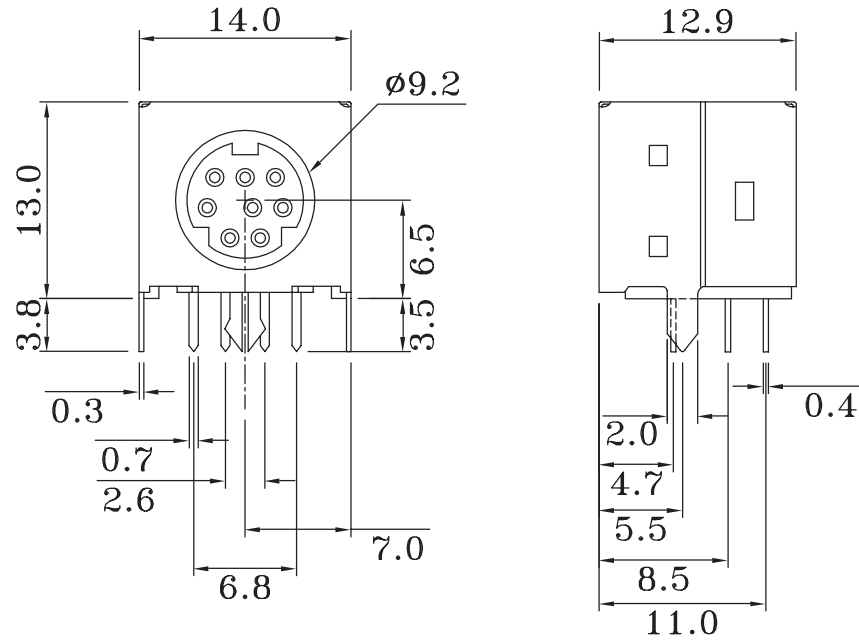
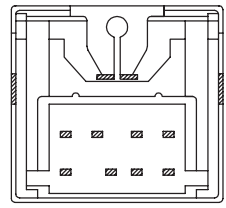


REV	DESCRIPTION	APPROVAL	DATE
A	Initial Release		07.06.27



PCB LAYOUT
(BOTTOM VIEW)



Specification:
 Contact Resistance: 30m Ohm Max.
 Insulation Resistance: 100M Ohm Min. AT 500V DC
 Rated Voltage And Current: DC12V.2A Max; AC 100V.1A Max
 Dielectric Withstanding Voltage: 250V AC For 1 Minute
 Durability (Life Test): 100 Cycles
 Insertion Force: 4.0KG Maximum.
 Extraction Force: 0.9KG Minimum.

NO.	NAME	MATERIAL	FINISH	Q'TY	REMARK
1	HOUSING	P.B.T.	BLACK	1	
2	CONTACT	PHOS. BRONZE	GOLD/TIN PLATED	8	NI:1~5u ; TIN:3u GOLD:1~3u"
3	SHIELD	COPPER ALLOY	TIN PLATED	1	TIN:3~5u
4	BACK COVER	P.B.T.	BLACK	1	

TOLERANCE
±0.3

PANSTRONG COMPANY LTD.	DRAWN BY		TOMMY	
	CHECKED			
TITLE:	MINI DIN JACK		APPROVED	
PART NO:	MDS8F0101K00E		DRAW NO	
File Number:			UNIT	
SCALE	2:1	REV	A	mm

