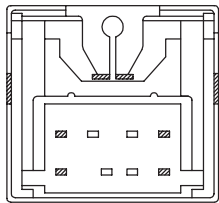
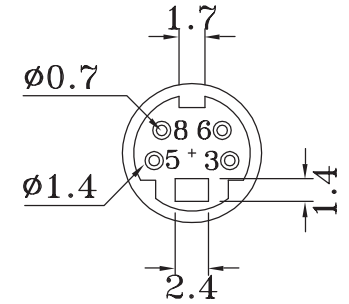
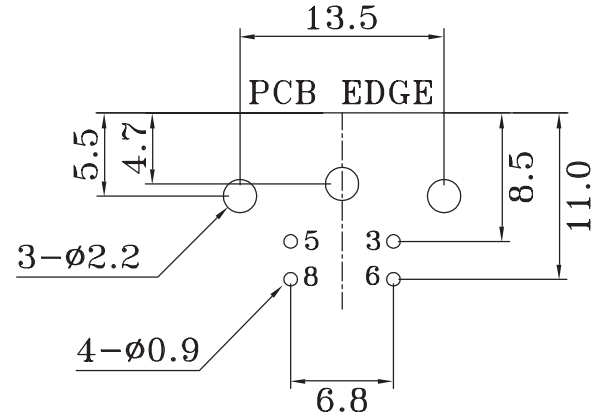
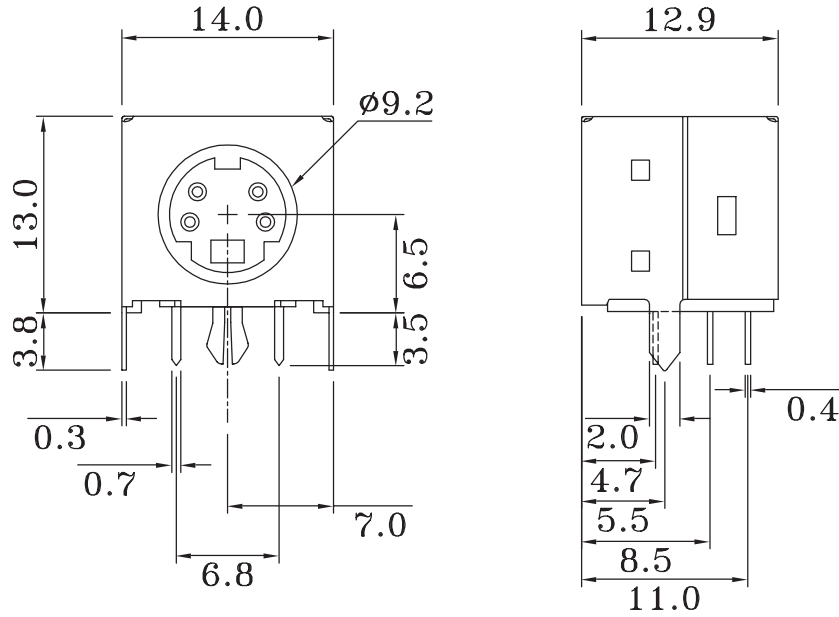


REV	DESCRIPTION	APPROVAL	DATE
A	Initial Release		00'.05.05



PCB LAYOUT (BOTTOM VIEW)

Specification:

Contact Resistance: 30m Ohm Max.
 Insulation Resistance: 100M Ohm Min. AT 500V DC
 Rated Voltage And Current: DC12V.2A Max; AC 100V.1A Max
 Dielectric Withstanding Voltage: 250V AC For 1 Minute
 Durability (Life Test): 100 Cycles
 Insertion Force: 4.0KG Maximum.
 Extraction Force: 0.9KG Minimum.

NO.	NAME	MATERIAL	FINISH	Q'TY	REMARK
1	HOUSING	P.B.T.	BLACK	1	
2	CONTACT	PHOS. BRONZE	GOLD-TIN PLATED	4	NI:1~5u ; TIN:3u GOLD:1~3u*
3	SHIELD	COPPER ALLOY	TIN PLATED	1	TIN:3~5u
4	BACK COVER	P.B.T.	BLACK	1	

TOLERANCE
±0.3

PANSTRONG COMPANY LTD.	DRAWN BY		TOMMY			
	CHECKED					
TITLE:	MINI DIN JACK		APPROVED			
PART NO:	MDS4F0101K00		DRAW NO			
File Number:						
SCALE	2:1	REV	A	UNIT	mm	