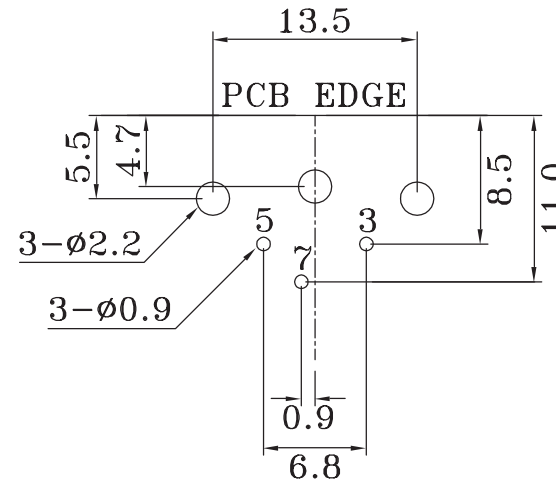
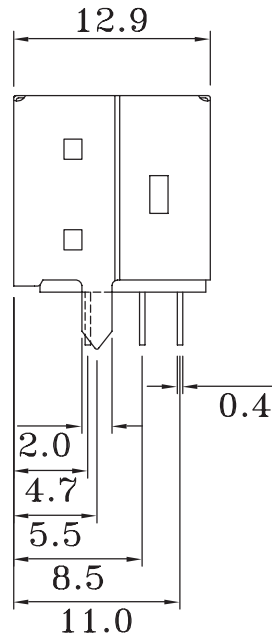
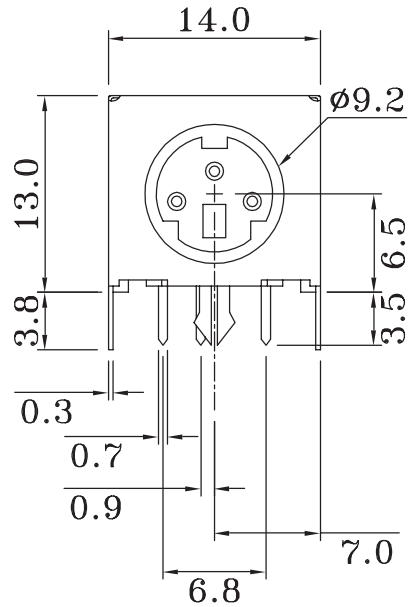
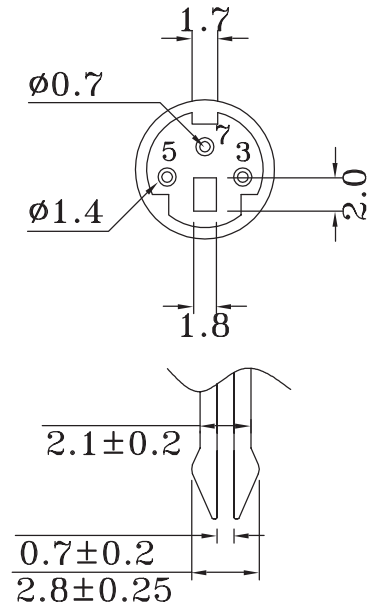


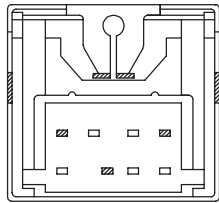
REV	DESCRIPTION	APPROVAL	DATE
A	Initial Release		00'.04.10



PCB LAYOUT  
(BOTTOM VIEW)



DETAIL A



Specification:

- Contact Resistance: 30m Ohm Max.
- Insulation Resistance: 100M Ohm Min. AT 500V DC
- Rated Voltage And Current: DC12V.2A Max; AC 100V.1A Max
- Dielectric Withstanding Voltage: 250V AC For 1 Minute
- Durability (Life Test): 100 Cycles
- Insertion Force: 4.0KG Maximum.
- Extraction Force: 0.9KG Minimum.

NO.	NAME	MATERIAL	FINISH	Q'TY	REMARK
1	HOUSING	P.B.T.	BLACK	1	
2	CONTACT	PHOS. BRONZE	GOLD-TIN PLATED	3	NI:1~5u ; TIN:3u GOLD:1~3u
3	SHIELD	COPPER ALLOY	TIN PLATED	1	TIN:3~5u
4	BACK COVER	P.B.T.	BLACK	1	

TOLERANCE

±0.3

PANSTRONG COMPANY LTD.				DRAWN BY		TOMMY	
				CHECKED			
TITLE:		MINI DIN JACK				APPROVED	
PART NO:		MDS3F0101K00E				DRAW NO	
File Number:						UNIT	
SCALE		2:1		REV		A	
				UNIT		mm	