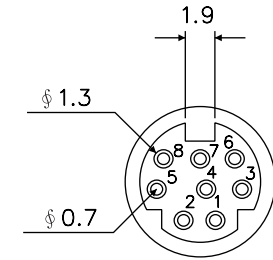
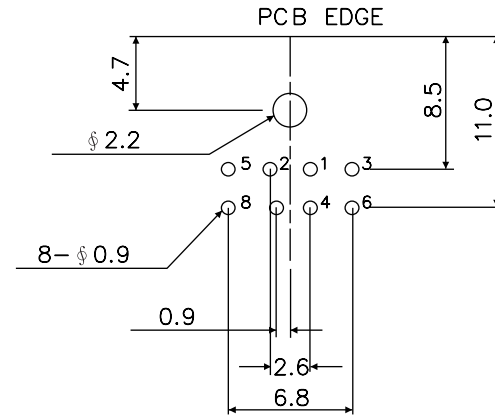
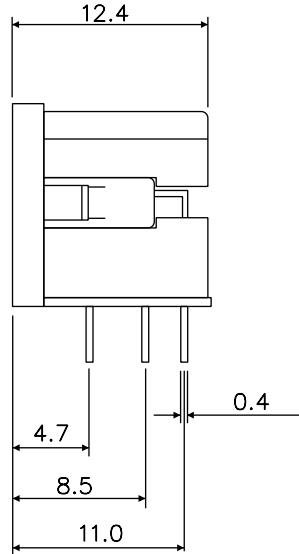
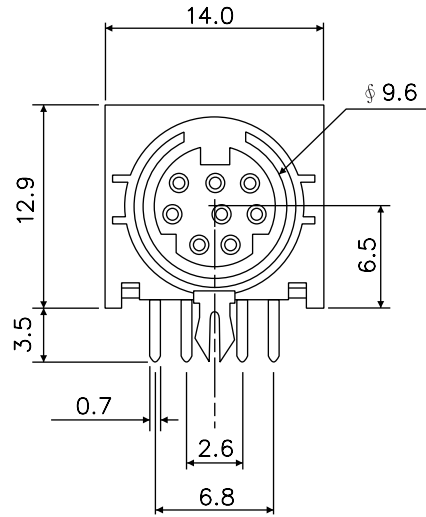
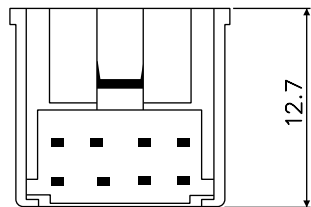


REV	DESCRIPTION	DATE
A	Initial Release	00'.04.11



PCB LAYOUT
(BOTTOM VIEW)



NO.	NAME	MATERIAL	FINISH	Q'TY	REMARK
1	HOUSING	P.B.T.	BLACK	1	
2	CONTACT	PHOS. BRONZE	GOLD-TIN PLATED	8	N1: 1~5u; TIN: 3u GOLD: 1~3u"
3	GROUND	BRASS	TIN PLATED	1	TIN: 3~5u
4	BACK COVER	P.B.T.	BLACK	1	



PANSTRONG COMPANY LTD.

DRAWN BY TOMMY

CHECKED

TITLE: MINI DIN JACK

APPROVED

PART NO: MD8F0101K

DRAW NO

File Number:

TOLERANCE
±0.3

SCALE

/

REV

A

UNIT

mm

