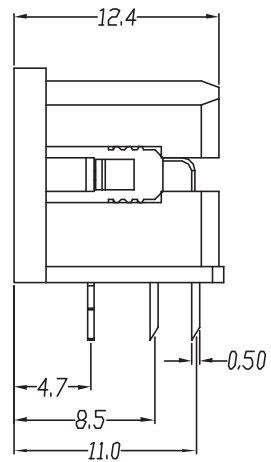
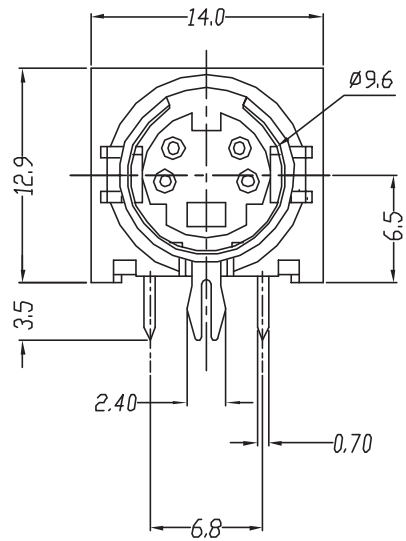
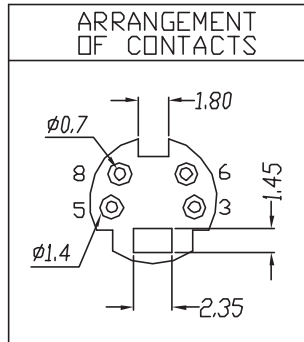
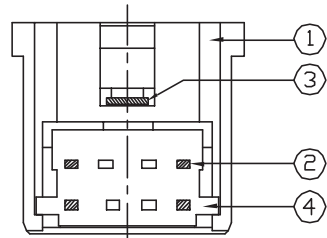


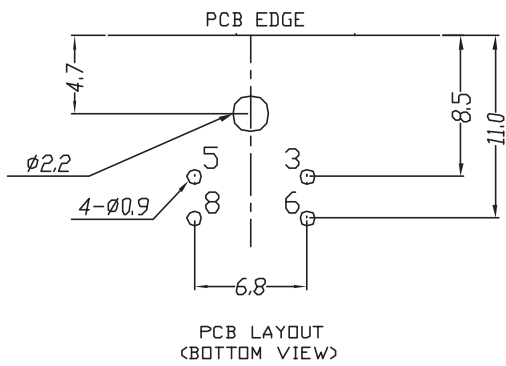
REV	DESCRIPTION	DATE
A0	Initial Release	10.03.29



Specification:  
 Contact Resistance: 30m Ohm Max.  
 Insulation Resistance: 100M Ohm Min.AT 500V DC  
 Rated Voltage And Current: DC12V.2A Max;AC 100V.1A Max  
 Dielectric Withstanding Voltage:250V AC For 1 Minute  
 Durability (Life Test): 100 Cycles  
 Insertion Force:4.0KG Maximum.  
 Extraction Force:0.9KG Minimum.



NO.	NAME	MATERIAL	FINISH	Q'TY	REMARK
1	HOUSING	PBT G.F.	BLACK	1	
2	CONTACT TERM.	PHOS. BRONZE T:0.2	GOLD-TIN PLATED	4	Gold:1~3u'; Ni:40~60u'; TIN:120u' (100% pure Tin of lead free plating)
3	GROUND TERM.	BRASS T:0.4	TIN PLATED	1	TIN:120~200u'
4	BOTTOM COVER	PBT G.F.	BLACK	1	



	PANSTRONG COMPANY LTD.			DRAWN BY	TOMMY	
				CHECKED		
TITLE:		MINI DIN JACK FLAT 4 PIN DIP			APPROVED	
PART NO:		MD4F0101K00E			DRAW NO	
DRAW. BOX NO:					UNIT	mm
SCALE	1:1	REV	A0			

TOLERANCE	
X.	±0.38
.X	±0.25
XX	±0.13
.XXX	±0.05