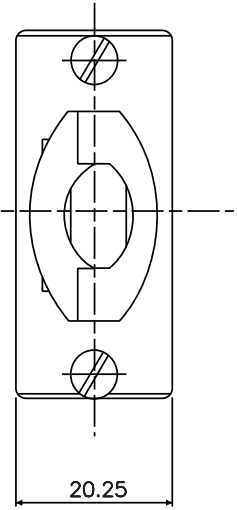
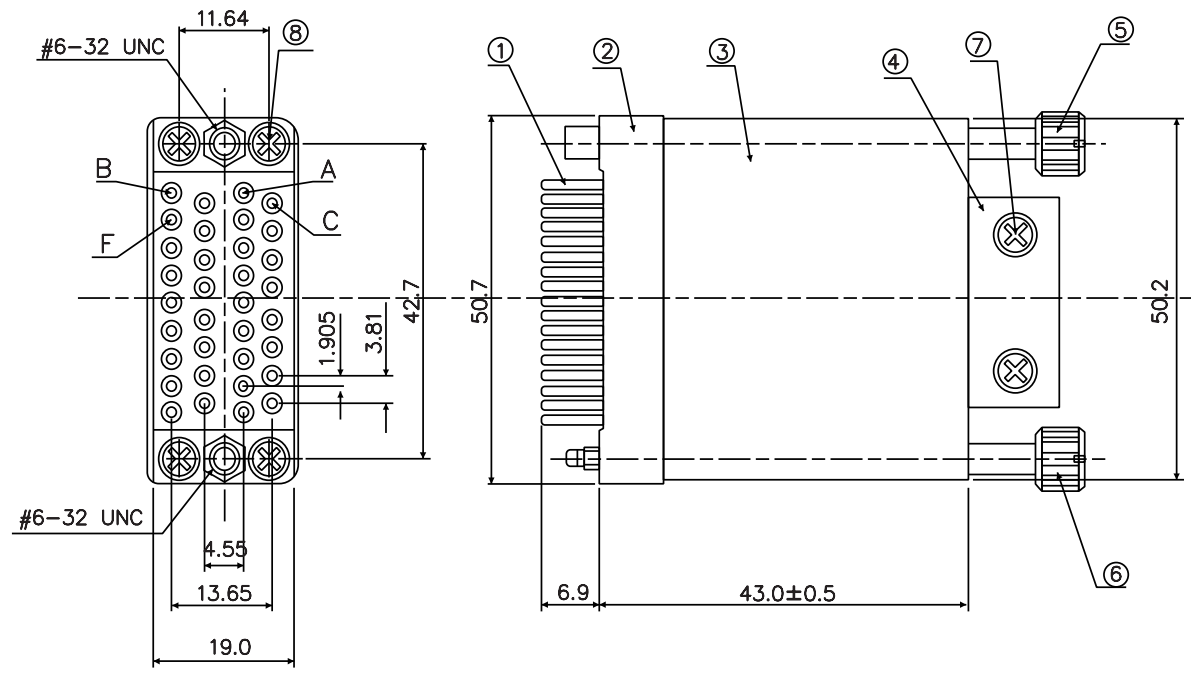
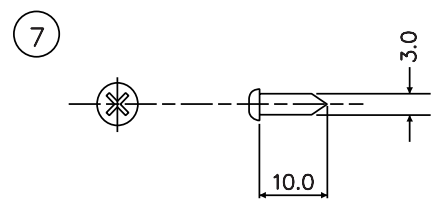
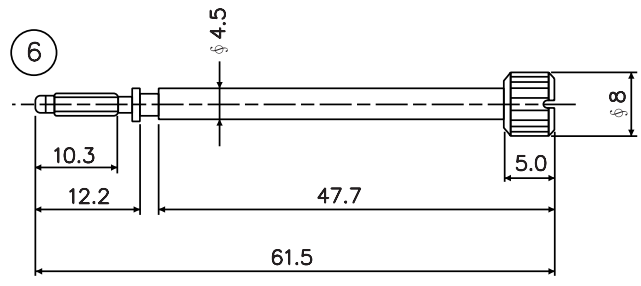
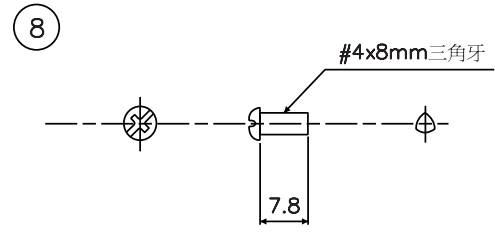
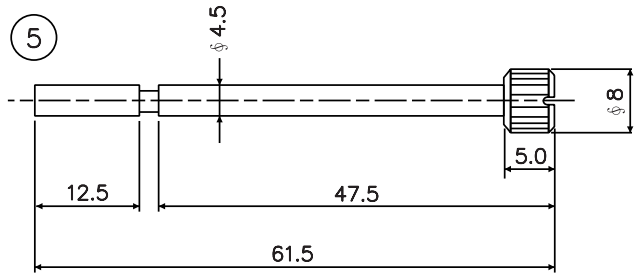


REV	DESCRIPTION	DATE
1	Initial Release	06.12.19



MECHANICAL
INSULATOR MATERIAL
 PBT & Glass-fiber reinforced
 UL 94V-0
CONTACT
 Brass
HOOD
 Aluminum
WIRE SIZE
 AWG 24 or 26

ELECTRICAL
CURRENT RATING
 7 Amp
DIELECTRIC WITHSTANDING VOLTAGE
 AC 1200V Min. (for 1 minute)
INSULATION RESISTANCE
 100mΩ Min. (at 500V DC)
CONTACT RESISTANCE
 10mΩ Max. mated
WORKING TEMPERATURE
 -55°C to +105°C



8	Screw	#4x8mm三角牙	6
7	Self Tapping Screw	3x10	2
6	Thumb Screw Male	#6-32 UNC	1
5	Thumb Screw Female	#6-32 UNC	1
4	S.R.	ABS	1
3	Hood	Aluminum	1
2	Housing(Male)	PBT & G.F UL 94V-0	1
1	Terminal(Male)	Brass	34
No.	PART NAME	DESCRIPTION	Q'TY

PANSTRONG COMPANY LTD.				DRAWN BY		TOMMY			
				CHECKED					
TITLE:		V.35 CONNECTOR MALE		APPROVED					
PART NO:		V35M01		DRAW NO					
DRAW. BOX NO:									
SCALE		/		REV	1		UNIT	mm	