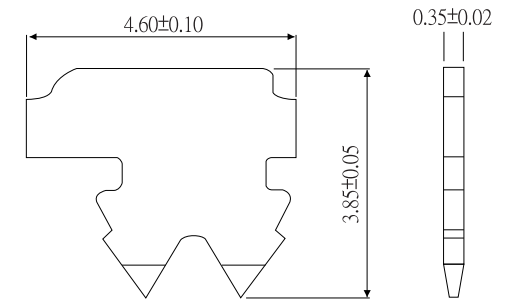
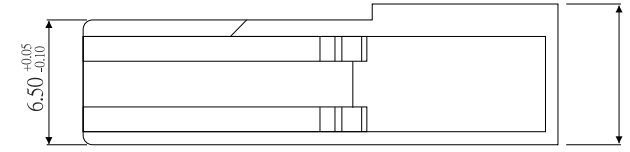
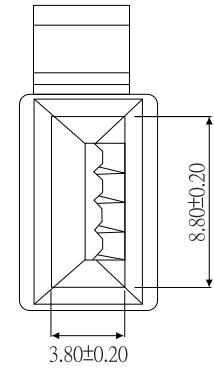
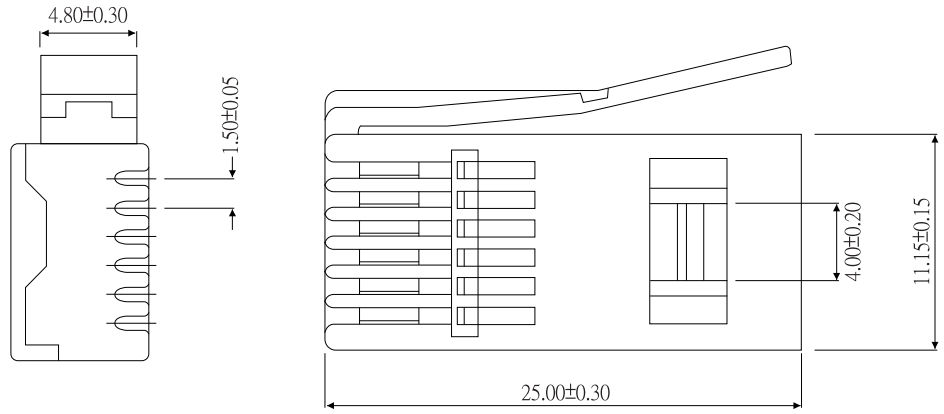


REV	DESCRIPTION	DATE
A	Initial Release	06.06.27

MATERIAL:

- 1.Housing : Polycarbonate,UL 94V-2 or UL 94V-0
- 2.Terminal : 0.014 Inch Phosphor
- 3.3u" ~ 5u" Gold over
- 80u" ~ 100u" Nickel Plated



" " : 2 PRONGS FOR STRANDED WIRE

PART NO.

MPUK 6 6 U2 03 01

- No. of Position ———— 6
- No. of Contact ———— 6
- R: Round Cable ———— U2
- F: Flat Cable ———— 03
- 01: No. Logo
- Gold Plating: 3u", 6u", 15u", 30u", 50u"

<b>PANSTRONG COMPANY LTD.</b>				DRAWN BY		TOMMY
				CHECKED		
TITLE:		#UK108*_** MP6P6C UK			APPROVED	
PART NO:		MPUK66			DRAW NO	
DRAW . BOX NO:						
SCALE		REV	A	UNIT	mm	