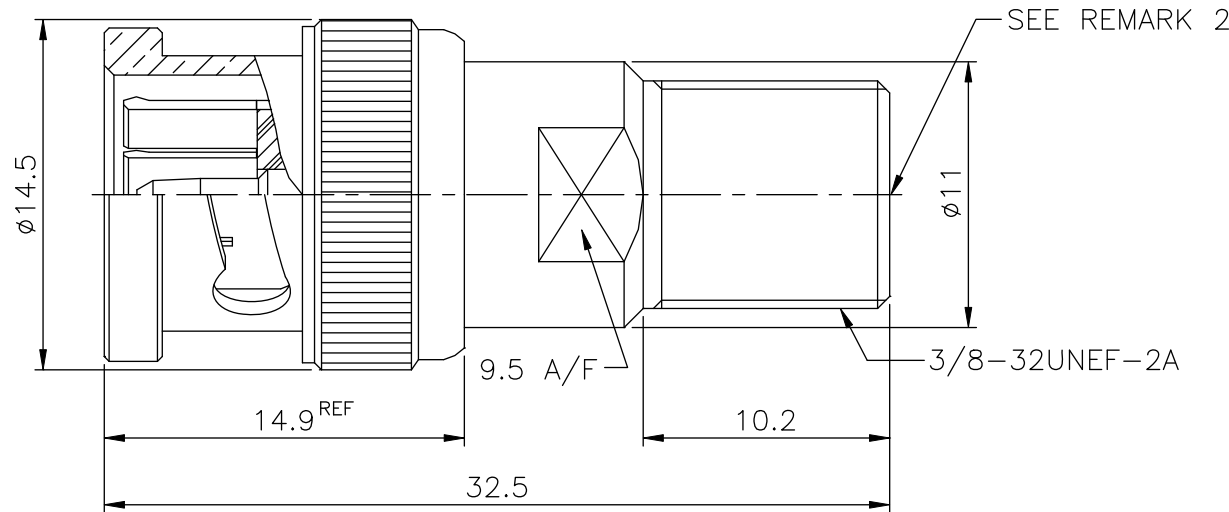


REMARK: ACCEPTS $\phi 0.54 \sim \phi 1.06$ PINS

REV	DESCRIPTION	DATE
A	Initial Release	06.10.13

- FINISH (PLATING THICKNESS IN MICRO-INCHES)
1. BRASS PER QQ-B-626
 2. NICKEL PL 70 MIN THICK OVER COPPER STRIKE
 3. GOLD PL 3 MIN OVER NICKEL PL 70 MIN THICK OVER COPPER STRIKE
 4. TEFLON MIL-P-19468
 5. BERYLLIUM COPPER PER QQ-C-530



SHELL	NOTE 1	NOTE 2
GASKET	SILICONE	RED
C RING	SS41	NOTE 2
SPRING	SK5	NOTE 2
WASHER	SS41	NOTE 2
INSULATOR	NOTE 4	WHITE
CONTACT PIN	NOTE 5	NOTE 3
CONTACT PIN	NOTE 1	NOTE 3
INSULATOR	NOTE 4	WHITE
BODY	NOTE 1	NOTE 2
DESCRIPTION	MATERIAL	FINISH

RoHS COMPLIANT

UNLESS OTHERWISE SPECIFIED
TOLERANCES
0.5-6 = ± 0.2
>6-30 = ± 0.4
>30-120 = ± 0.6
>120-315 = ± 1
>315-1000 = ± 1.6
ANGLES = $\pm 5^\circ$

PANSTRONG COMPANY LTD.		DRAWN BY	TOMMY
		CHECKED	
TITLE:	BNC PLUG to F JACK ADAPTOR		APPROVED
PART NO:	BM/FF02N		DRAWING NO.
SCALE	3:1	REV	A
UNIT	mm		