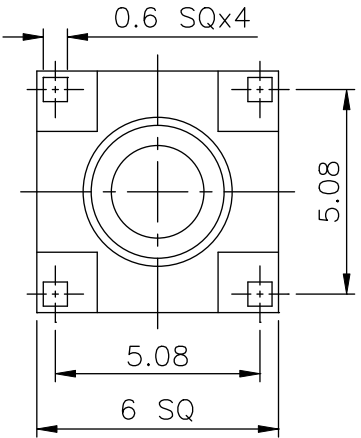
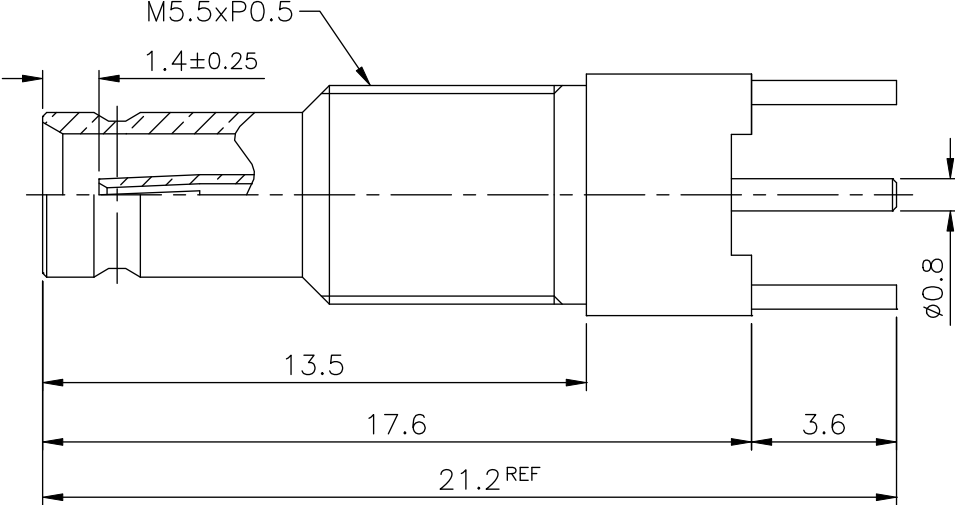
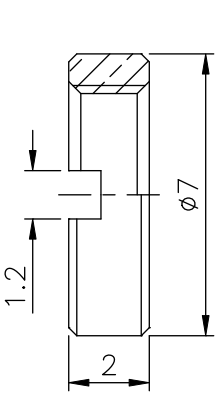
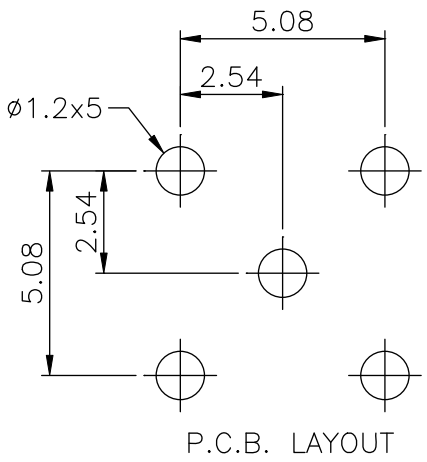


REV	DESCRIPTION	DATE
A	Initial Release	06.08.14



- FINISH (PLATING THICKNESS IN MICRO-INCHES)
- BRASS PER QQ-B-626
 - GOLD PL 3 MIN OVER NICKEL PL 70 MIN THICK OVER COPPER STRIKE
 - GOLD PL 30 MIN OVER NICKEL PL 70 MIN THICK OVER COPPER STRIKE
 - TEFLON MIL-P-19468
 - BERYLLIUM COPPER PER QQ-C-530
 - NICKEL PL 70 MIN THICK OVER COPPER STRIKE



NUT	NOTE 1	NOTE 6
CONTACT PIN	NOTE 5	NOTE 3
INSULATOR	NOTE 4	WHITE
BODY	NOTE 1	NOTE 2
DESCRIPTION	MATERIAL	FINISH

UNLESS OTHERWISE SPECIFIED TOLERANCES
 0.5-6 = ±0.2
 >6-20 = ±0.4
 >30-120 = ±0.6
 >120-315 = ±1
 >315-1000 = ±1.6
 ANGLES = ±5°

PANSTRONG COMPANY LTD.		DRAWN BY	TOMMY
		CHECKED	
TITLE:	1.0/2.3 BULKHEAD PCB MOUNT JACK		APPROVED
PART NO:	1023F02G0101		DRAWING NO. 1023F02G0101-BD000B
SCALE	5:1	REV	A
UNIT	mm		