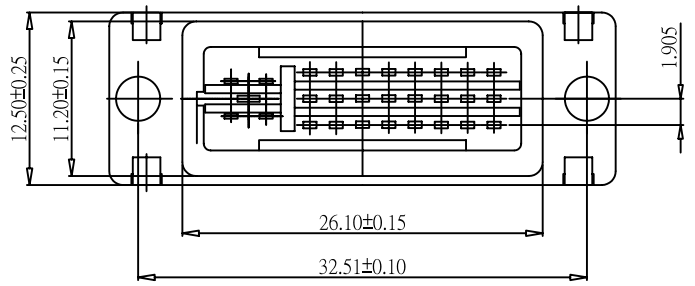
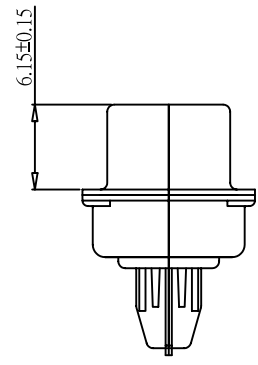
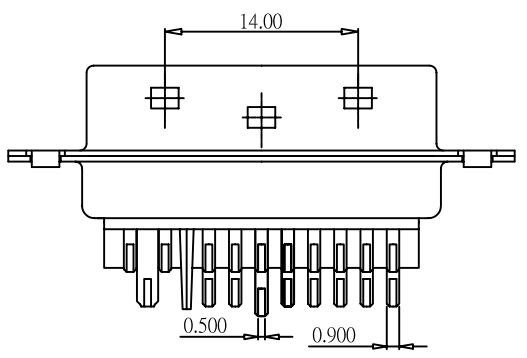
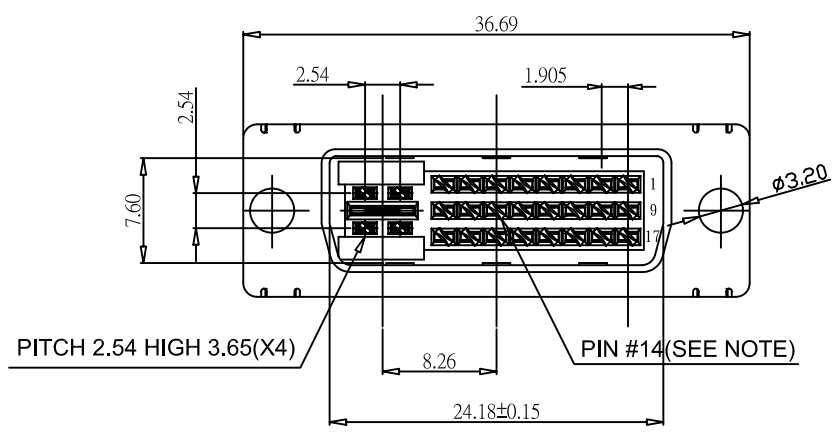


REV	DESCRIPTION	APPROVAL	DATE
A/0	新制定		03'.06.06



RoHS Compliant

- NOTE:**
- CONTACT HEIGHT FOR PIN #14 IS TO BE(4.70)  
OTHER CONTACT HEIGHT(5.46)
  - ELECTRICAL  
RATED:1.5A 40V(AC)  
CONTACT RESISTANCE:20M MAXIMUM.  
INSULATION RESISTANCE:1000M MINIMUM  
DIELECTRIC WITHSTANDING VOLTAGE:500V
  - MECHANICAL  
MATING FORCE:4.5KG MAX  
UNMATING FORCE:4KG MAX  
UNMATING FORCE:1KG MIN
  - MATERIAL  
HOUSING:UL94V-0 30%GF  
CONTACT:BRASS AND STEEL
  - CONTACT GOLD  
1.1U"  
2.3U"  
3.10U"

Part No. DV 29 M 11 02 K 01  
(1) (2) (3) (4) (5) (6)

- (1) PIN NUMBER  
19 : 18+1  
23 : 18+5  
24 : 24+0  
25 : 24+1  
29 : 24+5
- (2) M : Male Plug.
- (3) 11 : Wire Solder .
- (4) 02 : V ertical / Top Entry .
- (5) Insulator Color  
K : Black  
W : White.
- (6) Gold Plating on Contacts  
01: Gold Flash.

	<b>貝強實業有限公司</b> <b>PANSTRONG COMPANY LTD.</b>			DRAWN BY	TOMMY	
				CHECKED		
未標示公差尺寸值	TITLE:	DVI24+5 for wire solder			APPROVED	
METRIC	PART NO.:	DV29M1102K01			DRAW NO	COSJ-048
.0= 0.35	DRAW. BOX NO.:				UNIT	mm
.00= 0.25	SCALE	/	REV	A		
.000= 0.15						