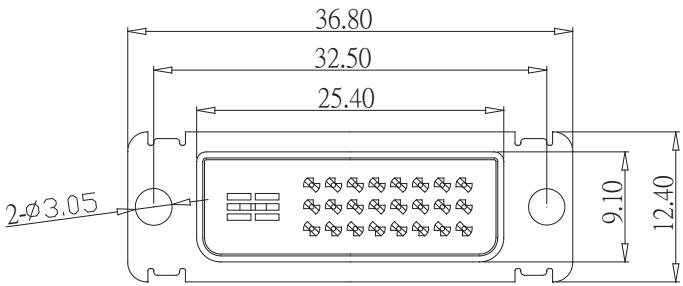
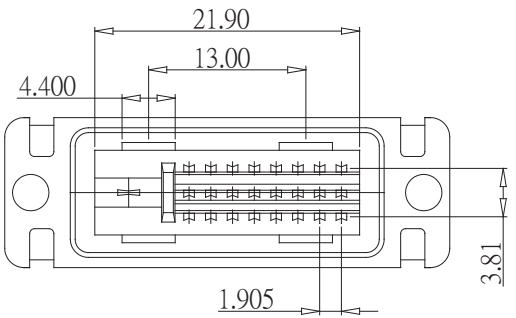
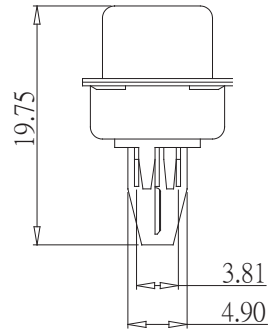
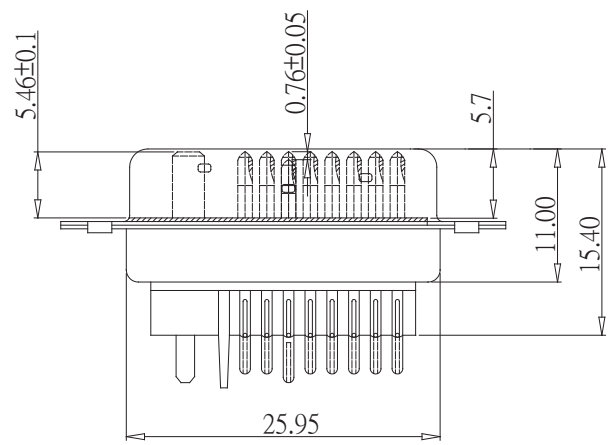
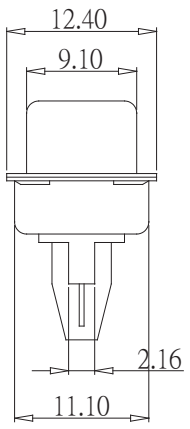


REV	DESCRIPTION	APPROVAL	DATE
A/0	新制定		05.07.04

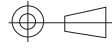


MATEIALS
 1.HOUSING: PBT+25
 2.TERMINAL: BRASS GOLD AND TIN PALTED
 3.FRONT SHIELD: SPCC NICKEL PLATED
 4.BACK SHIELD: SPCC TIN PLATING



DV 25 M 11 02 K 01
 (1) (2) (3) (4) (5) (6)

- (1) PIN NUMBER**
 19 : 18+1
 23 : 18+5
 24 : 24+0
 25 : 24+1
 29 : 24+5
- (2) M : Male Plug.**
(3) 11 : Wire Solder .
(4) 02 : V ertical / Top Entry .
(5) Insulator Color
 K : Black
 W : White.
- (6) Gold Plating on Contacts**
 01: Gold Flash.

 貝強實業有限公司 PANSTRONG COMPANY LTD.	DRAWN BY			TOMMY
	CHECKED			
未標示公差尺寸值	TITLE:	DVI24+1公半金黑YZ		
METRIC	PART NO:	DV25M1102K01		
.0= 0.35	DRAW.BOX NO:			
.00= 0.25	SCALE	1:1	REV	A/0
.000= 0.15	UNIT	mm		
	DRAW NO	COSJ-047		