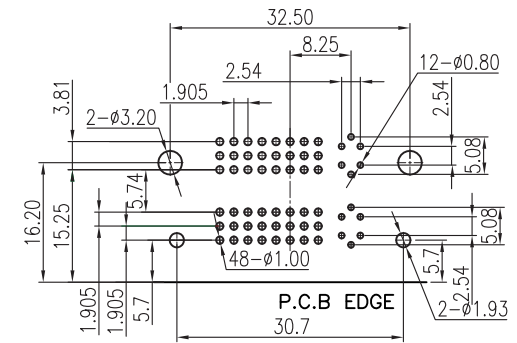
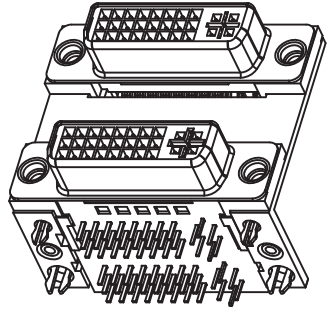
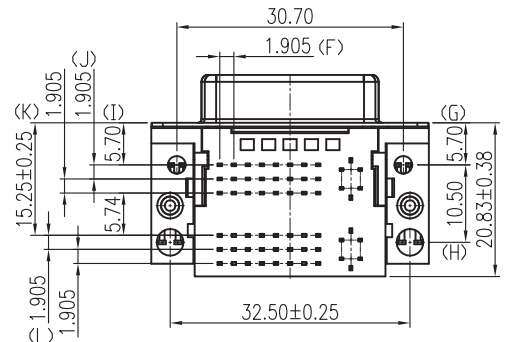
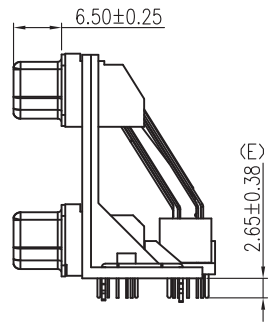
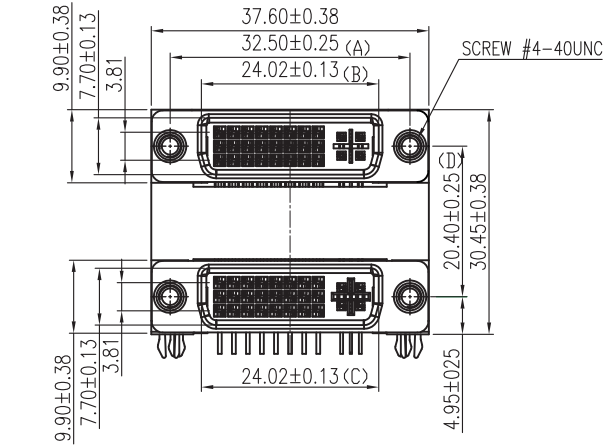


REV	DESCRIPTION	DATE
A	Initial Release	10'.01.26
A0	An issue.	10'.08.30
A1	Drawings Update	13'.03.14
A2	Drawings Update	13'.07.25



RECOMMENDED P.C.B. LAYOUT

INSPECTION DIMENSION:(A)~(L)

SPECIFICATIONS

- DVI
- Voltage: 40 VAC(RMS) Max.
- Current Rating: 1.5 Ampere per Contact
- Contact Resistance(UPPER): 30 Milliohms Max.
Contact Resistance(LOWER): 20 Milliohms Max.
- Insulation Resistance: 1000 Megohms Min.
- Dielectric Withstanding Voltage: 500V DC(RMS)
- Total Mating Force: 4.5 Kgf Max.
- Total Unmating Force: 1.0 Kgf Min.
- Operating Temperature: -55°C to +85°C

NOTES

- MATERIAL:**
Housing(UPPER):PBT, UL 94V-0, Color:Ivory.
Housing(LOWER):PBT, UL 94V-0, Color:Ivory.
Terminal:Copper Alloy.
Shell:SPCC.
Boardlock:Copper Alloy.
Bracket:Zinc Alloy.
- FINISH:**
Terminal:Gold Plated over Nickel at Contact Area.
Tin Plated over Nickel at Solder Area.
Shell:Nickel Plated.
Boardlock:Tin Plated.
Bracket:Nickel Plated.
- This Product is LEAD-FREE & RoHS Compliance Product.

PART No.

DVR2F- 1 1 B W1 1 N 1 4 Z
1 2 3 4 5 6 7 8 9

1.Top Connector:

- DVI 29
- DVI 24

2.Bottom Connector:

- None
- DVI 29
- DVI 24
- HDMI

3.Specing between ports

- 16.70
- 20.40

4.Insulator:

- W1: White PBT K1:Black PBT
W2: White PA9T K2:Black PA9T

5.Contact Gold Plating:

- 01:Gold Flash 05:5u" Gold 30:30u" Gold

6.Shell Plating:

- N:Nickel T: Tin

7.Mounting Options:

- UNC#4-40 Screw Nut Fixed
- UNC#4-40 Thread Hole
- UNC#4-40 Thread Hole with Nut Attached Separately

8.Board Mounting Options:

- Dual Board Locks
- Tripple Board Locks
- Quard Board Locks

9.Bracket:

- Z: Zinc Alloy
Blank: PBT Black

 PANSTRONG COMPANY LTD.

DRAWN BY TOMMY

CHECKED

TITLE:

DVI-I/DVI-I FEMALE
RIGHT ANGLE

APPROVED

PART NO:

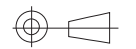
DVR2F-11BW1****Z

DRAWING NO.

SCALE

1:1 REV A2

UNIT mm



UNLESS OTHERWISE SPECIFIED TOLERANCE
mm:
.00 = ±0.25
.000 = ±0.13
Ang:
0.0 = ±2°