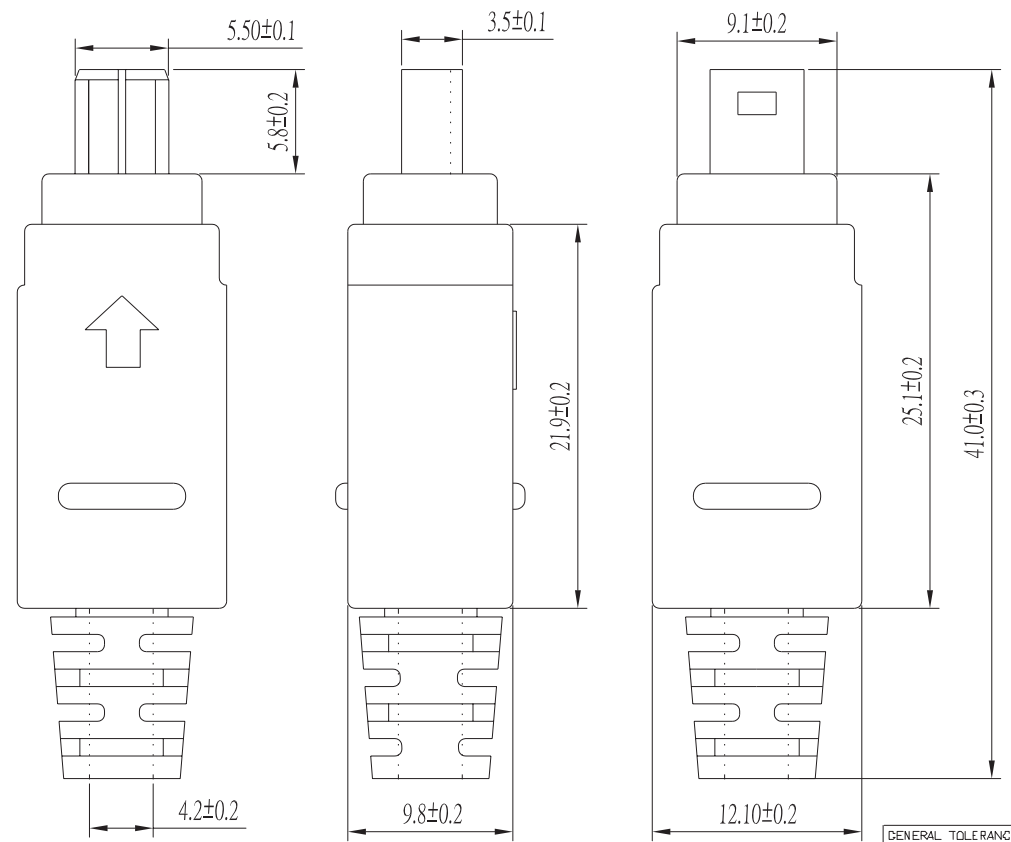
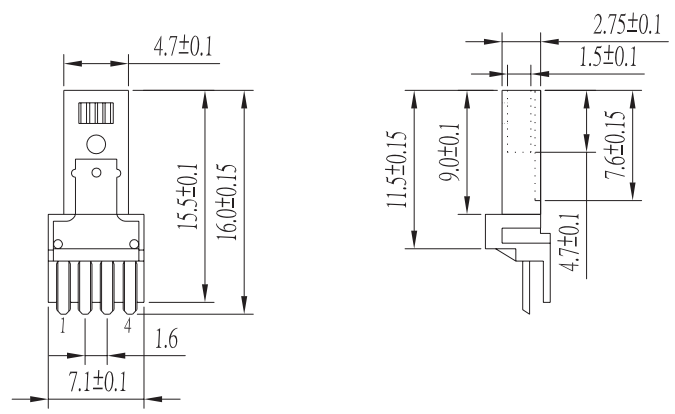


7	8	9	10	11
REV	DESCRIPTION	APPROVAL	DATE	
A0	新制定		06/04.10	



ROHS-COMPLIANT

GENERAL TOLERANCE		ANGLE TOLERANCE	
X	±0.30	X.	±3.0°
.X	±0.25	.X.	±2.0°
.XX	±0.13	.XX.	±1.0°
.XXX	±0.05	.XXX.	±1.0°

Note:

- Material:
 - Insulator: P.B.T UL 94-V0 rated.
 - Contact: Copper alloy, t=0.20mm.
 - Shell: Copper alloy, t=0.30mm.
- Specification:
 - Current rating: 1 A Max.
 - Dielectric withstanding voltage: 500 V(ac) for 1 minute.
 - Contact resistance: 30 mΩ Max.
 - Insulation resistance: 1000 MΩ Min at DC 500V.
 - Total mating force: 4.0 Kgf Max.
 - Total unmating force: 1.0 Kgf Min.
 - Temperature range: -55°C~+105°C
- Finishes:
 - contacts: Gold flashed 1u", 3u", 5u", 10U", 15u", 30u".
 - Shell: Nickel Or Tin Plated.

PART NO.

1394	4	M	01	K	30	A
	1	2	3	4	5	6

- No. of Contact: 4 Positions
- M: Plug
- 01: Wire Soldering
- Color of Insulation: K Black, W White
- Plating of Contact: 30u" Gold
- Option: A with Assembly Hood
Blank Standard Type for Molding

5	Hood	1	P.B.T	UL 94-V0	Black
4	Back-shell	1	Copper alloy	T=0.30mm	Nickel or Gold Plated
3	Front-shell	1	Copper alloy	T=0.30mm	Nickel or Gold Plated
2	Contact	4	Copper alloy	T=0.20mm	Gold Flashed
1	Housing	2	P.B.T	UL 94-V0	Black/Ivory/Gray
No.	Name	Qty	Material	Remarks & Thickness	Finish

貝強實業有限公司 PANSTRONG COMPANY LTD.				DRAWN BY		TOMMY	
				CHECKED			
TITLE:		IEEE 1394 4P MALE MOLDED				APPROVED	
PART NO:		13944M01K30A				DRAW NO	
DRAW. BOX NO:							
SCALE		2:1	REV	A0	UNIT	mm	