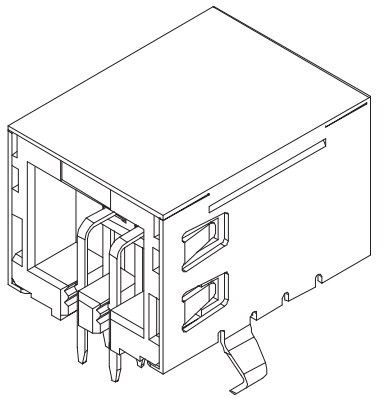
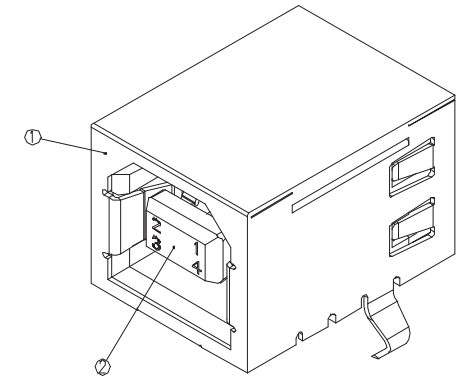
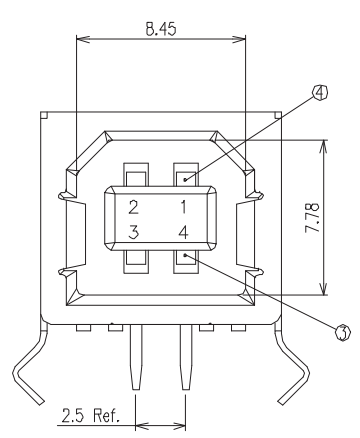
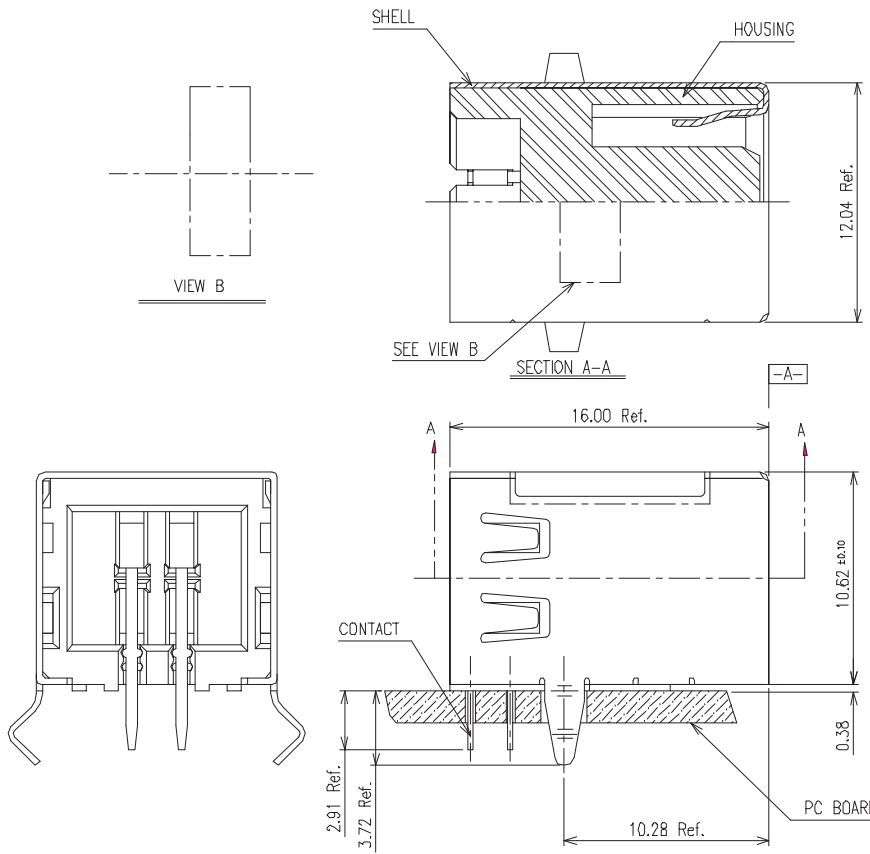


REV	DESCRIPTION	DATE
J	△x1 MODIFY TABLE	04'.09.22



ROHS-COMPLIANT

SCALE 3:1

ITEM	NAME	Q'TY	MATERIAL / FINISH
4	CONTACT	2	COPPER ALLOY/SELECTIVE GLOD PLATED (REFER TO "TABLE A")
3	CONTACT	2	COPPER ALLOY/SELECTIVE GLOD PLATED (REFER TO "TABLE A")
2	HOUSING	1	PBT-THERMOPLASTIC, GLASS FILLED, 130°C, 94V-0 RATED
1	SHELL	1	COPPER ALLOY/TIN-LEAD PLATED OVER COPPER COPPER ALLOY/Au PLATED OVER COPPER △

PANSTRONG COMPANY LTD.				DRAWN BY		TOMMY	
				CHECKED			
TITLE:		USB CONNECTOR, SERIES B, 4 POSITIONS, R/A, THRU-HOLE				APPROVED	
PART NO:		UBR01-4FW05J				DRAWING NO.	
SCALE		4:1	REV	J	UNIT	mm	

REV	DESCRIPTION	DATE
J	△x1 MODIFY TABLE	04'.09.22

△ NOTES :

- 1.0. RATING :
 - 1.1. VOTAGE : 30 VAC (R.M.S.)
 - 1.2. CURREN : 1.6A MAXIMUM
 - 1.3. TEMPERATURE : -55°C TO +85°C
- 2.0. ELECTRICAL CHARACTERISTIC :
 - 2.1. CONTACT RESISTANCE : 30 MILLIOHMS MAXIMUM INITIAL
 - 2.2. INSULATION RESISTANCE : 1,000 MEGOHMS MINIMUM
- △ 2.3. DIELECTIC WITHSTANDING VOLTAGE : 500 VAC AT SEA LEVEL
- 2.4. CAPACITANCE : 2 PICOFARADS MAXIMUM AT 1KHZ
- 3.0. OTHERS :
 - 3.1. RECOMMENDED PC BOARD THICKNESS OF 1.57mm
 - 3.2. THIS ALLOW FOR A PANEL THICKNESS OF 2.67mm MAXIMUM, IF THE RECEPTACLE CONNECTOR IS MOUNTED BEHIND A PANEL.
 - 3.3. RECOMMENDED PC BOARD MOUNTING DIMMENSION : REFER FIGURE A
 - △ 3.4 DATUM AND BASIC DIMMENSIONS ESTABLISHED BY CUSTOMER.
 - 3.5 PRODUCT NUMBER LIST : REFER TO TABLE A
 - 3.6 PRODUCT NUMBERING CODE : REFER TO TABLE B

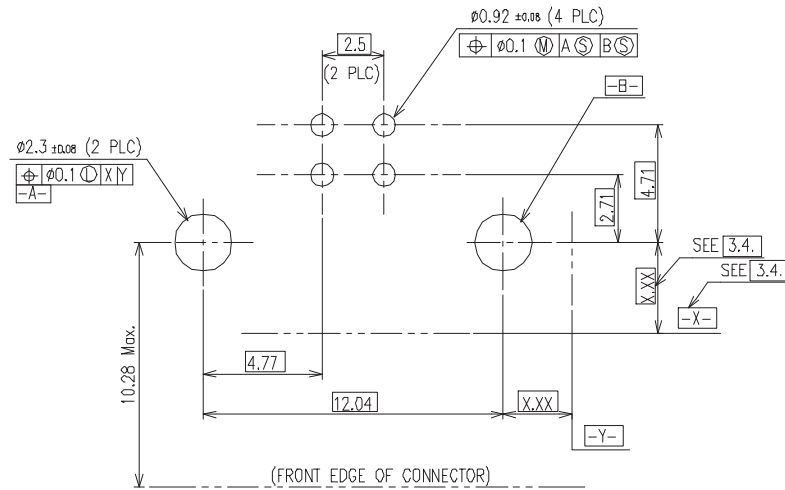


FIGURE A: PCB FOOTPRINT FOR RECEPTACLE (THROUGH-HOLE)

PART NO.

UBR01 - 4 F W 05 J
 1 2 3 4 5 6

1. Type: B, Through Hole, Right Angle
2. No. of Contact: 4 Positions
3. F: Socket
4. Color of Insulation: W White, K Black
5. Plating of Contact: 05: 5u" Gold
30: 30u" Gold
6. Plating of Shell:
J: Nickel Plating

ROHS-COMPLIANT

PANSTRONG COMPANY LTD.				DRAWN BY		TOMMY	
				CHECKED			
TITLE:		USB CONNECTOR, SERIES B, 4 POSITIONS, R/A, THRU-HOLE				APPROVED	
PART NO:		UBR01-4FW05J				DRAWING NO.	
SCALE		4:1	REV	J	UNIT	mm	