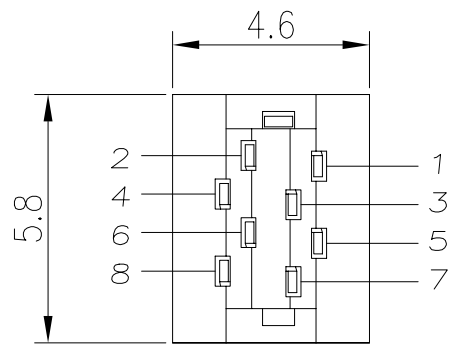
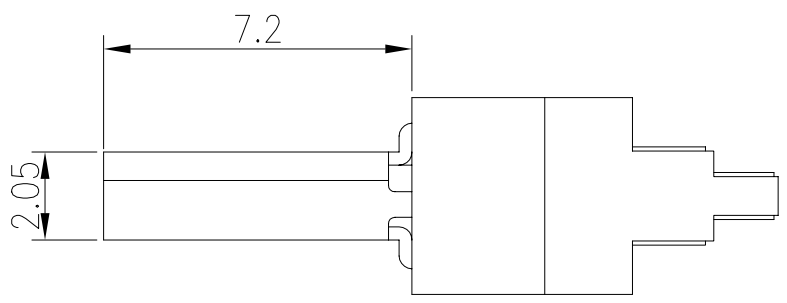
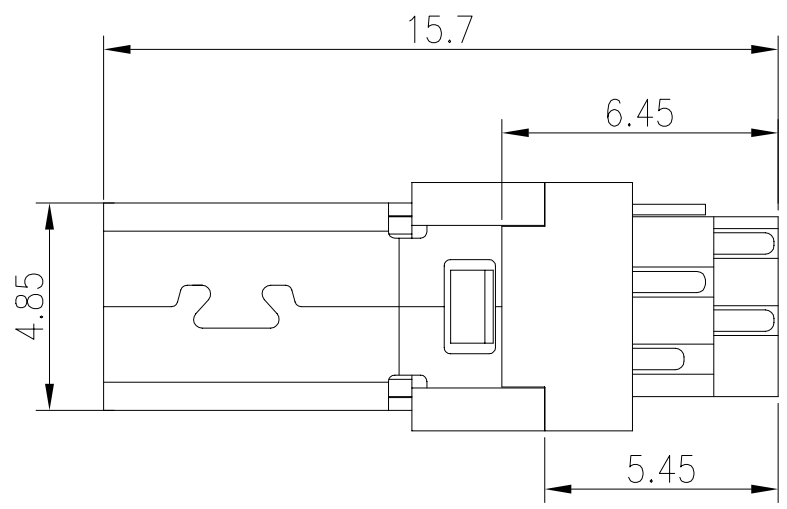
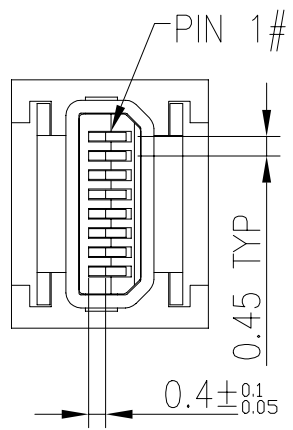


REV	DESCRIPTION	APPROVAL	DATE
A	新制定		06.05.10



NOTE:

1.MATERIAL
 1-1 CONTACT: PHOSPHORUS COPPER
 1-2 FRONT HOUSING: LCP
 1-3 BACK HOUSING: PBT+30%
 1-4 SHELL: METAL

2.PLATING
 2-1 CONTACT: GOLD 10u" /TIN
 2-2 SHELL: NICKEL

PART NO.

MUSB B 8 M 01 K 10
 1 2 3 4 5 6

1. MINI USB B TYPE
 2. No. of Contact: 8 Positions
 3. M: Plug
 4. 01: Solder Type
 5. Color of Insulation: K Black, W White
 6. Plating of Contact: 10: 10u"Gold ... 30: 30u" Gold

Specifications:

1.Electrical:


1-1 Rating: AC 5V/0.5A
 1-2 Contact Resistance: 50m Ohm or less
 1-3 Insulation Resistance: 100M Ohm Min at DC500V
 1-4 Dielectric Withstanding Voltage: AC 100V for 1 minute(Cut-off: 0.5mA)

2.Mechanical:

2-1 Insertion force: 35N (3.57kgf) max.
 2-2 Withdrawal Force: 1N (0.1kgf) min.

GENERAL TOLERANCE	ANGLE TOLERANCE
X. ±0.38	x. ±3.0°
.X ±0.25	.x ±2.0°
.XX ±0.13	.XX ±1.0°
.XXX ±0.05	

ROHS-COMPLIANT

 貝強實業有限公司 PANSTRONG COMPANY LTD.				DRAWN BY		TOMMY	
				CHECKED			
TITLE:		MINI-B PLUG 8 PIN				APPROVED	
PART NO:		MUSBB8M01K**				DRAW NO	
DRAW.BOX NO:						UNIT	
SCALE		1:1	REV	A	mm		