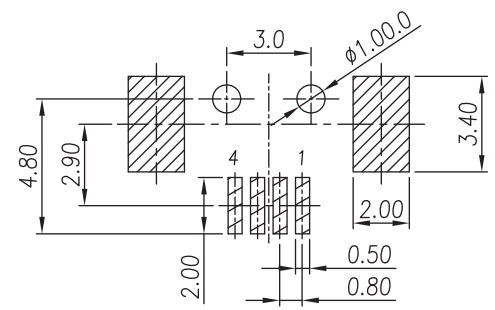
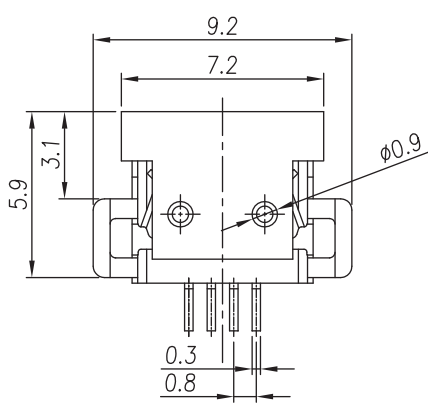
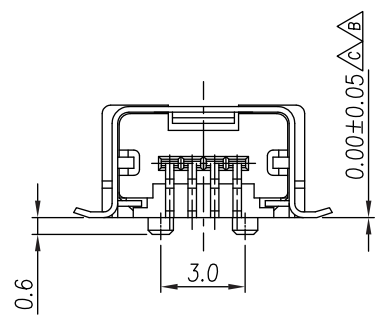
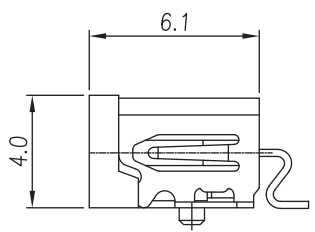
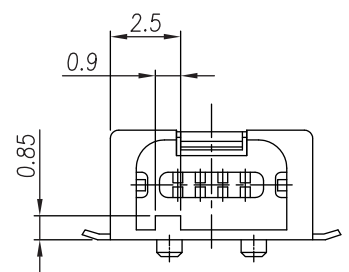
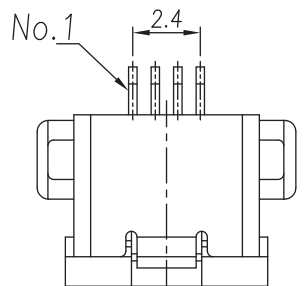


REV	DESCRIPTION	DATE
A	CHANGE DRAWING	04'.05.28
B	RELEASE CHANGE TOLERANCE	05'.01.04
C	RELEASE CHANGE TOLERANCE	07'.08.31
D	RELEASE	08'.03.04
E	R.T.P	09'.08.06



Recommend P.C.B LAYOUT

- MATERIAL :
  - 1-1. HOUSING : NYLON UL94V-0 ; COLOR :
  - 1-2. CONTACT : PHOSPHOR BRONZE
  - 1-3. SHELL : STAINLESS STEEL
- FINISH :
  - 2-1. CONTACT : SEE TABLE A
  - 2-2. SHELL : SEE TABLE A
- ELECTRICAL SPECIFICATION :
  - 3-1. Rating:DC 30V/2A

PART NO.

MUSB  $\frac{A}{1} \frac{4}{2} \frac{F}{3} \frac{03}{4} \frac{01}{5} \frac{K}{6} \frac{10}{7}$

- MINI USB A TYPE
- No. of Contact: 4 Positions
- F: Socket
- 03: SMT
- 01: Right Angle
- Color of Insulation: K Black, W White
- Gold Plating on Contacts:
  - 10: 10u" Gold Plating ... 30: 30 u" Gold Plating

RoHS Compliant

No.	Name	Q'ty	Material	Remarks & Thickness	Finish
3	Shell	1	Stainless steel	T=0.20mm	Tin Plated
2	Contact	4	Phosphor bronze	T=0.25mm	Gold Flashed
1	Housing	1	L.C.P or PA46	UL 94V-0	Black/Ivory

TOLERANCE	
.x	±0.20
.xx	±0.10
.xxx	±0.05
.xxxx	±0.03
ANGULA	±1°

PANSTRONG COMPANY LTD.		DRAWN BY		TOMMY
		CHECKED		
TITLE:		MINI USB A 4P RECEPTACLE		APPROVED
		SMT, R/A, SINGLE KEY		
PART NO:		MUSBA4F0301K		DRAWING NO.
				QC0700
SCALE	1:1	REV	E	UNIT
				mm