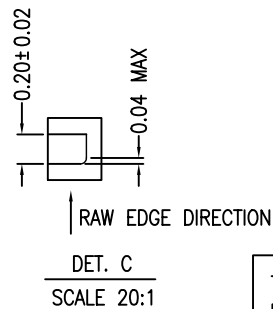
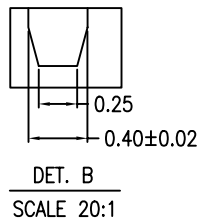
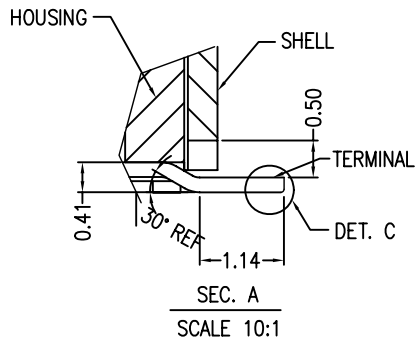
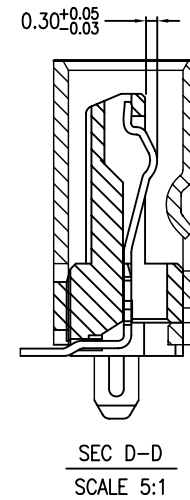
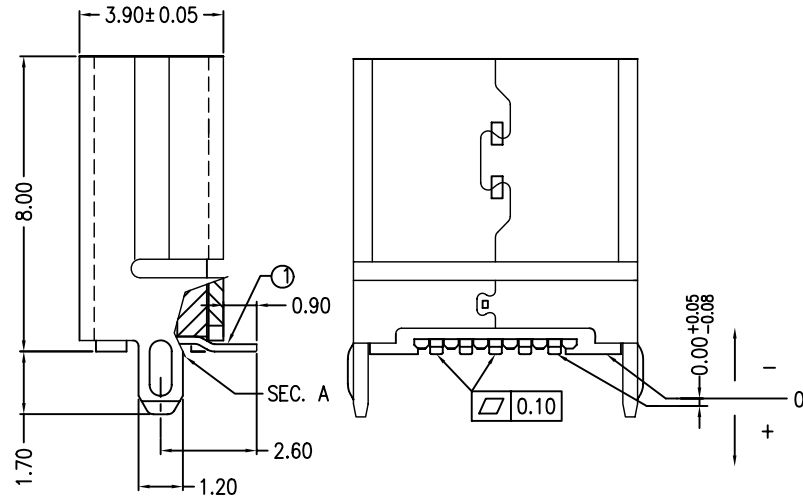
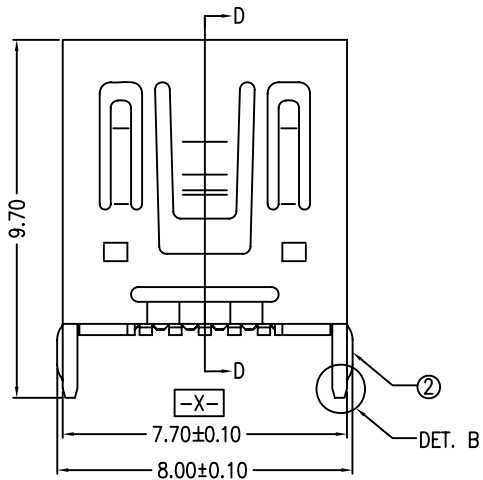


RECOMMENDED PCB LAYOUT  
PCB T=1.0mm, TOLERANCE: ±0.05



TOLERANCES  
DIM. ± 0.30  
ANGLE: ± 3°

REV	DESCRIPTION	APPROVAL	DATE
A	Initial Release		06.10.07

ITEM	DESC.	MATERIAL	REMARKS
3	HOUSING	LCP	G.F.30%,UL94V-0 COLOR:BLACK
2	SHELL	COPPER ALLOY (T=0.40)	UNDER PLATING: Cu 50u" OVER PLATING:Ni 40u"
1	TERMINAL	COPPER ALLOY (T=0.20)	CONTACT AREA: Au 30u" SOLDER AREA: Au 3~8u" UNDER PLATING:Ni 50u"

Housing: High Temperature  
Thermoplastics, UL94V-0  
Color: Black  
Contact: Copper Alloy  
Shell: Copper Alloy  
Voltage Current Rating: 1AMP. 30V AC  
Insulation Resistance: 100MΩ Min.  
Contact Resistance: 50mΩ Max.  
Dielectric Withstanding: 100V AC  
Voltage: -20°C to +60°C  
Temperature Range

Order Code:

MUB S03 - 5 F K 30 J R  
1 2 3 4 5 6 7

- 1.S03: SMT, Vertical Type
- 2.No. of Contact: 5 5pins
- 3.Type: F Female
- 4.Insulator Color: K Black
- 5.Contact Gold: 30 30u" Gold
- 6.Shell Plating: J: Nickel Plating
- 7.Package: R: Tape & Reel

PANSTRONG COMPANY LTD.				DRAWN BY		TOMMY	
				CHECKED			
TITLE:		MINI USB-B/F/180° /SMT CONNECTOR				APPROVED	
PART NO:		MUBS03-5FK				DRAW NO	
File Number:							
SCALE	5:1	REV	A	UNIT	mm		