

REV	DESCRIPTION	APPROVAL	DATE
F	新制定		06.05.09

NOTE :
 1.0. OTHERS :
 1.1. PRODUCT SPECIFICATION : CSP-MNC10-00-00
 1.2. RECOMMENDED PC BOARD THICKNESS 1.2mm and 1.6mm
 1.3. RECOMMENDED PC BOARD MOUNTING DIMMENSION : REFER FIGURE A

TABLE A: PRODUCT NUMBER

MUSB $\frac{B}{1}$ $\frac{5}{2}$ $\frac{F}{3}$ $\frac{01}{4}$ $\frac{02}{5}$ $\frac{K}{6}$ $\frac{30}{7}$ $\frac{H}{8}$

- MINI USB B TYPE
- No. of Contact: 5 Positions
- F: Socket
- 01: Through-Hole
- 02: Vertical
- Color of Insulation: K Black, W White
- Plating of Contact: 30: 30u" Gold, 05: 05u" Gold
- BLANK : Standard PBT H : High Temp : PA-9T

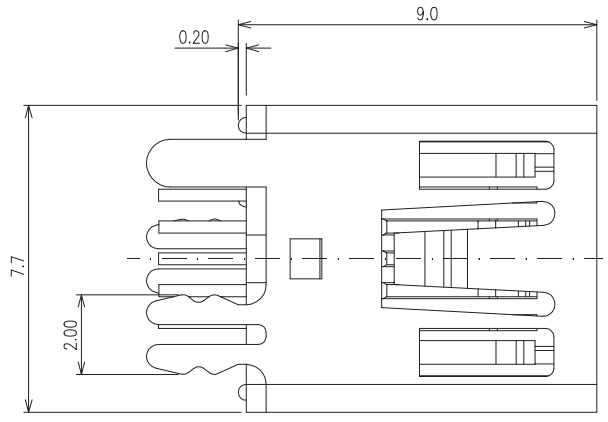
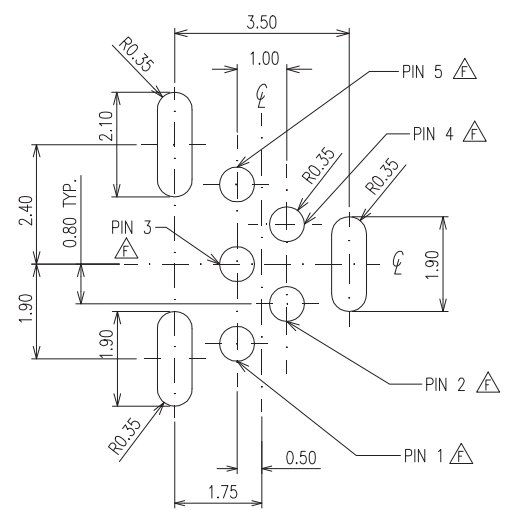
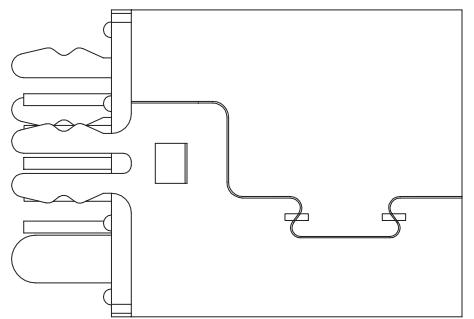
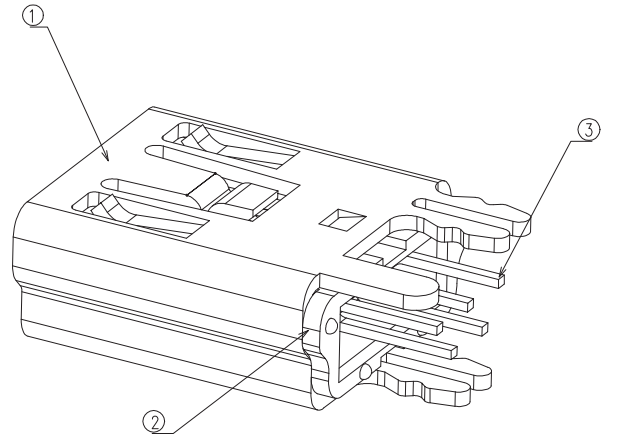
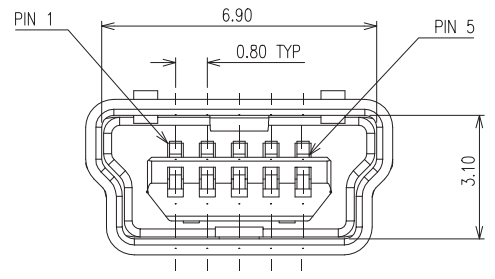
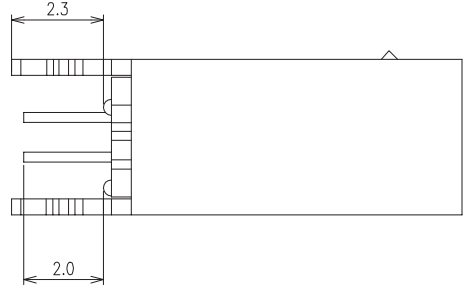
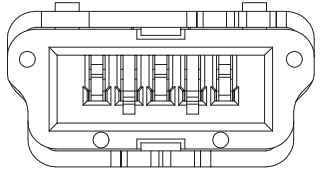


FIGURE A : Printed Circuit Board (PCB) Layout(scale 10 : 1)



SCALE 8 : 1

ROHS-COMPLIANT

GENERAL TOLRANCE		ANGLE TOLRANCE	
X.	+0.30	x.	±3.0°
.X	±0.25	.x	±2.0°
.XX	±0.13	.XX	±1.0°
.XXX	±0.05		

REV.	DESCRIPTION	DATE
B	△X1	11/24/03*
C	△X1	12/17/03*
D	△X1	04/17/04*
E	ADD PART NUMBER △X1	09/30/04*
F	ADD PIN NUMBER △X5	11/29/04*

3	CONTACT	5	COPPER ALLOY
2	HOUSING	1	PBT/THERMOPLASTIC, GLASS FILLED;30°C, 94V-ORATED
1	SHELL	1	COPPER ALLOY
ITEM	NAME	Q'TY	MATERIAL / FINISH

貝強實業有限公司 PANSTRONG COMPANY LTD.		DRAWN BY		TOMMY	
		CHECKED			
TITLE:		MINICONN.MIN USB		APPROVED	
PART NO:		MUSBB5F0102K30		DRAW NO	
DRAW. BOX NO:					
SCALE	8:1	REV	G	UNIT	mm