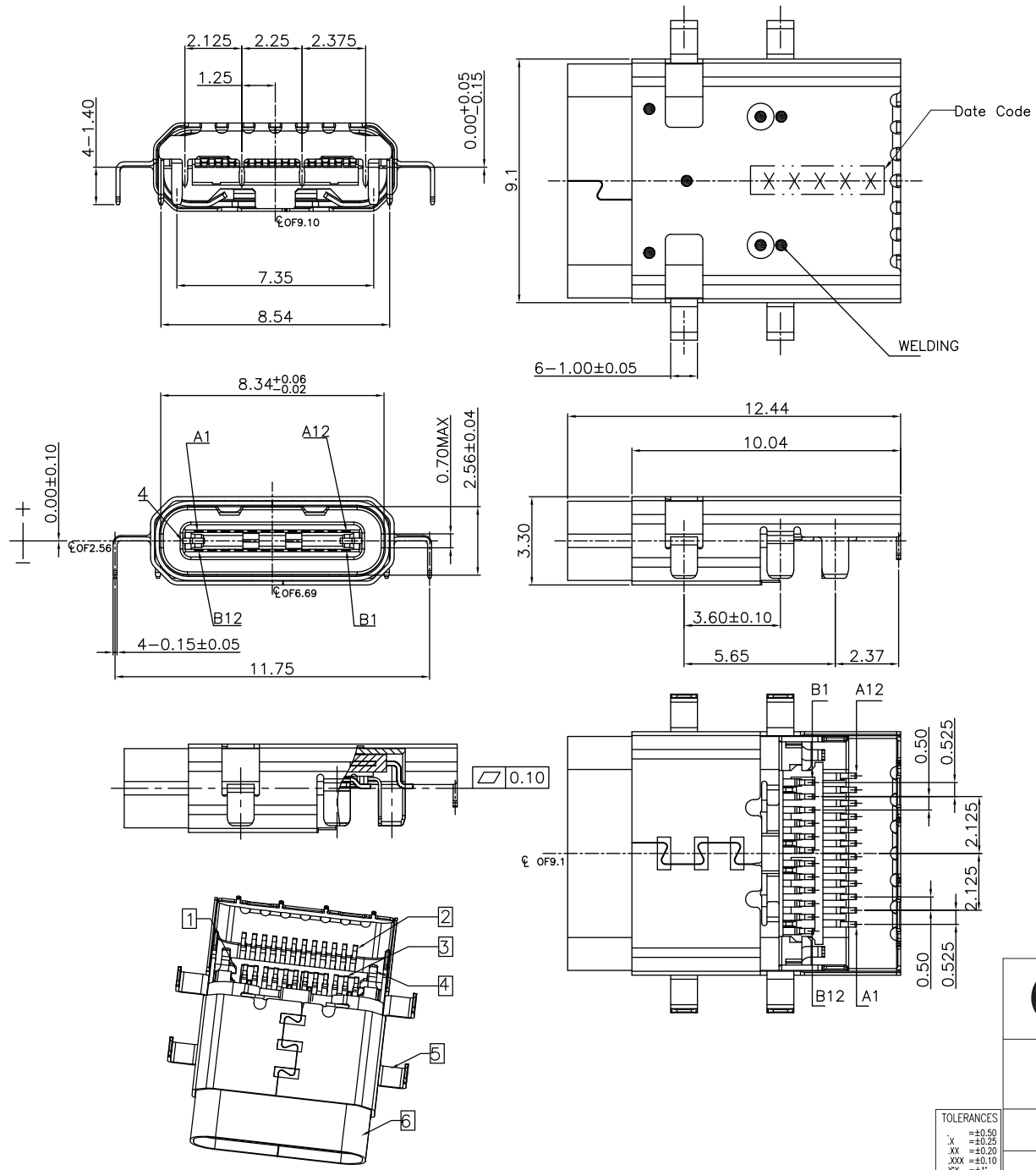


REV	DESCRIPTION	DATE
A	Initial Release	15'.01.30
B	Drawings Update	15'.04.14



PART NO.  
 UB31C4R33LB-  $\frac{24}{1} \frac{F}{2} \frac{K}{3} \frac{xx}{4} \frac{x}{5}$

- Contact Positions:  
24: 24 pins
- Contact Type:  
F: Female Receptacle
- Insulator Color  
K: Black
- Contact Plating:  
01: Selective G/F  
30: Selective 30u" Gold
- Shell Plating:  
N: Solderable Nickel

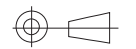
A1	A2	A3	A4	A5	A6
GND	TX1+	TX1-	VBUS	CC1	D+
A7	A8	A9	A10	A11	A12
D-	SBU1	VBUS	RX2-	RX2+	GND
B12	B11	B10	B9	B8	B7
GND	RX1+	RX1-	VBUS	SBU2	D-
B6	B5	B4	B3	B2	B1
D+	CC2	VBUS	TX2-	TX2+	GND

ITEM	DESC.	MATERIAL	PART REMARKS
6	OUTSIDE SHELL	STAINLESS STEEL T=0.15	
5	MAIN SHELL	STAINLESS STEEL T=0.20	OVER-PLATING Ni 30~100u"
4	GND_PLATE	STAINLESS STEEL T=0.10	
3	BOT TERMINAL	COPPER ALLOY T=0.15	CONTACT AREA: Au 30u" SOLDER AREA: G/F UNDER-PLATING: Ni 30u"
2	TOP TERMINAL		
1	HOUSING	HIGH TEMP PLASTIC	COLOR:BLACK

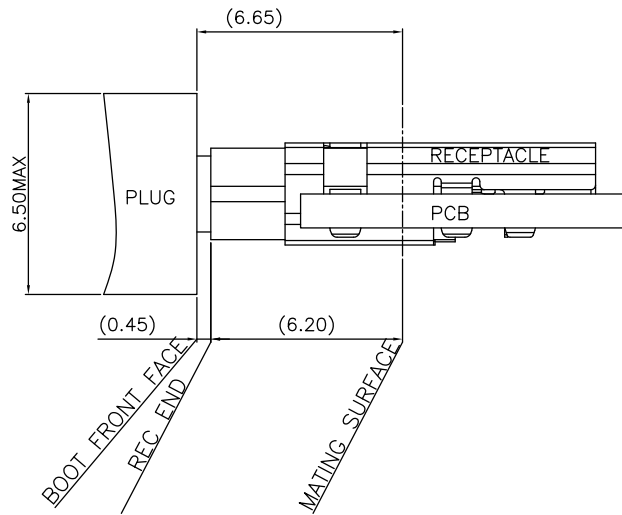
RoHS Compliant

	PANSTRONG COMPANY LTD.		DRAWN BY	TOMMY
			CHECKED	
TITLE:	USB C RECEPTACLE SINK TYPE CONNECTOR		APPROVED	
PART NO:	UB31CR33LB-24FKxx x		DRAWING NO.	
SCALE	/	REV	B	UNIT mm

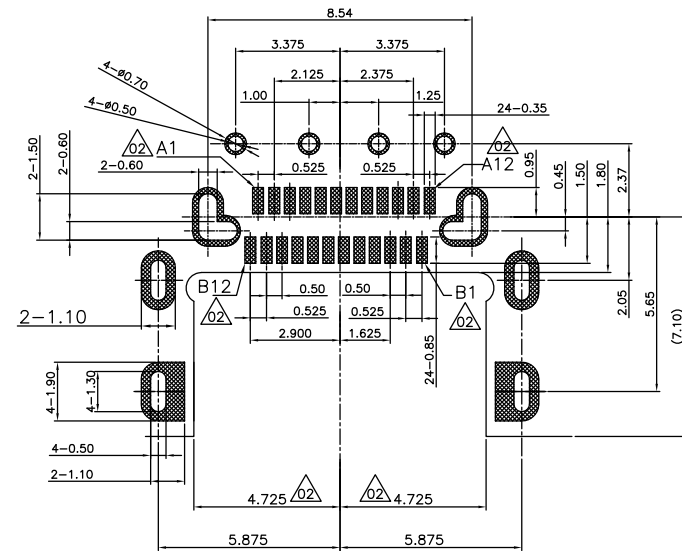
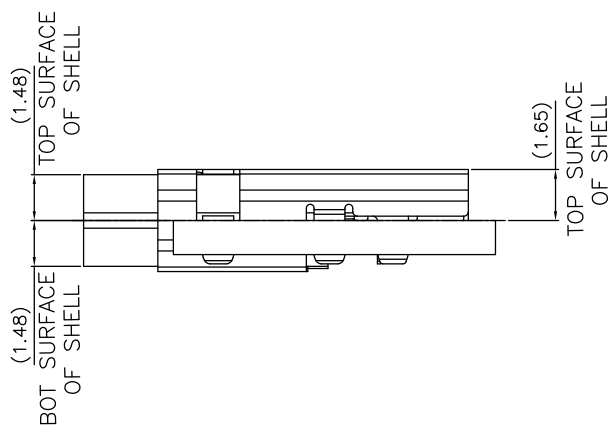
TOLERANCES	
.	=±0.50
.x	=±0.25
.xx	=±0.20
.xxx	=±0.10
.xxx	=±1'
.xxx	=±0.5'



REV	DESCRIPTION	DATE
A	Initial Release	15'.01.30
B	Drawings Update	15'.04.14



PLUG FULLY SEATED IN RECEPTACLE  $\triangle_{02}$



RECOMMENDED PCB LAYOUT(T=1.00mm)  
COMPONENT SIDE(Tol: ±0.05)

A1	A2	A3	A4	A5	A6	A7	A8	A9	A10	A11	A12
GND	TX1+	TX1-	VBUS	CC1	D+	D-	SBU1	VBUS	RX2-	RX2+	GND
GND	RX1+	RX1-	VBUS	SBU2	D-	D+	CC2	VBUS	TX2-	TX2+	GND
B12	B11	B10	B9	B8	B7	B6	B5	B4	B3	B2	B1

RoHS Compliant

TOLERANCES	
.	=±0.50
.X	=±0.25
.XX	=±0.20
.XXX	=±0.10
XX	=±1°
XXX	=±0.5°

	PANSTRONG COMPANY LTD.		DRAWN BY	TOMMY
			CHECKED	
TITLE:	USB C RECEPTACLE SINK TYPE CONNECTOR		APPROVED	
PART NO:	UB31CR33LB-24FKxx x		DRAWING NO.	
SCALE	/	REV	B	UNIT mm