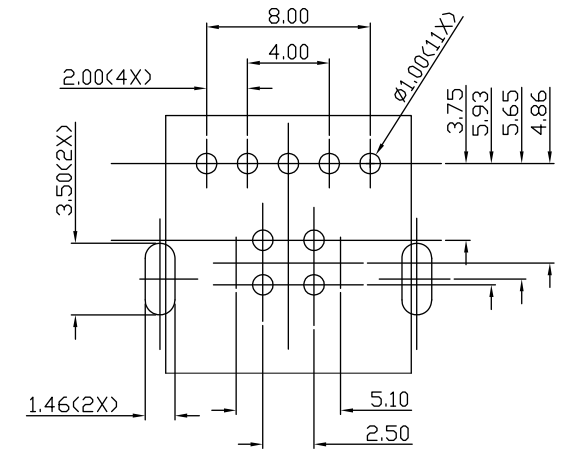
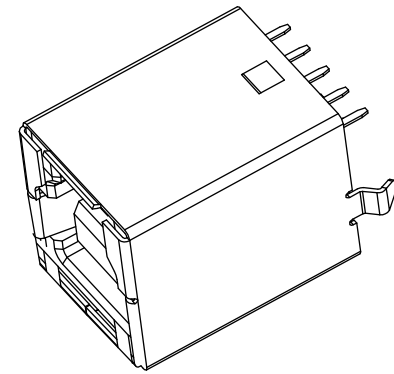
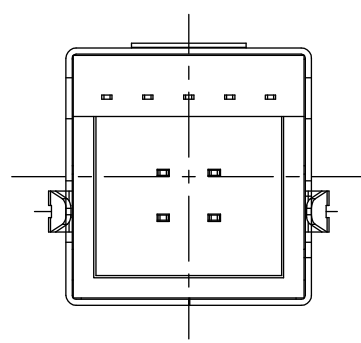
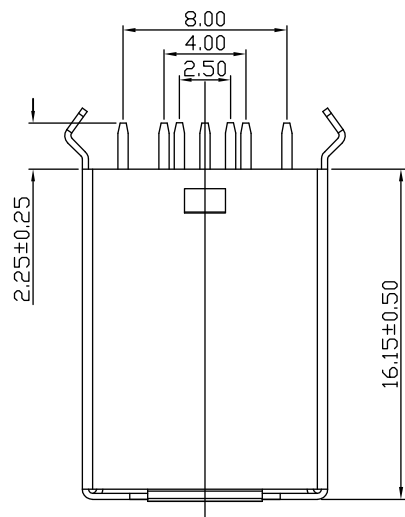
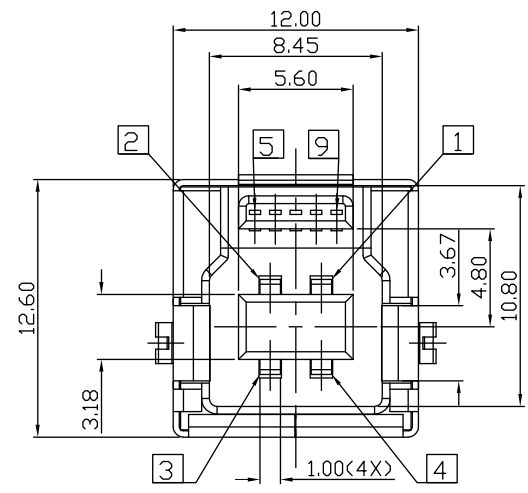
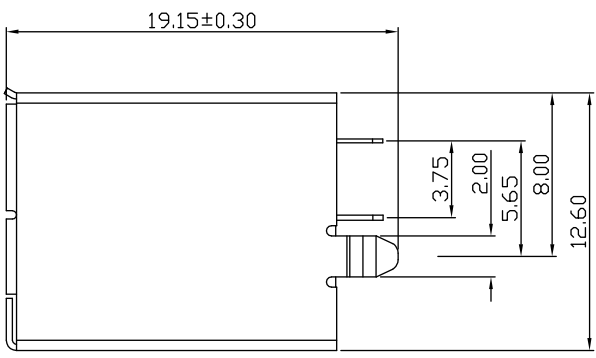


REV	DESCRIPTION	DATE
A	Initial Release	10'.01.25



PCB LAYOUT



PART NO. UB3BS02 - 9 F B xx x  
 1 2 3 4 5 6

- UB3BS02: 3.0 USB Type, Through-Hole, Vertical
- No. of Contacts: 9 Positions
- F: Socket
- Insulator Color: B: Blue
- Contact Plating:  
 01: Selective Gold Flash  
 15: 15u" Selective Gold  
 30: 30u" Selective Gold
- Shell Plating:  
 J: Nickel  
 G: Gold Flash

- Insulator Material:  
High temp. thermoplastic UL 94V-0 rated
- Contact Material: Phosphor Bronze or Brass.
- SHELL: Spcc.

Tolerance unless otherwise specified

x	± 0.50	x'	± 5'
xx	± 0.30	xx'	± 2'
xxx	± 0.20	xxx'	± 0.5'
xxxx	±		

PANSTRONG COMPANY LTD.				DRAWN BY		TOMMY	
				CHECKED			
TITLE:				USB 3.0 B Type Female 180° 9Pin			
PART NO:				UB3BS02-9FB			
SCALE		2:1		REV		A	
UNIT		mm		APPROVED		DRAWING NO.	
						USB3 -BF28-XD3	