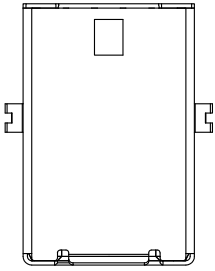
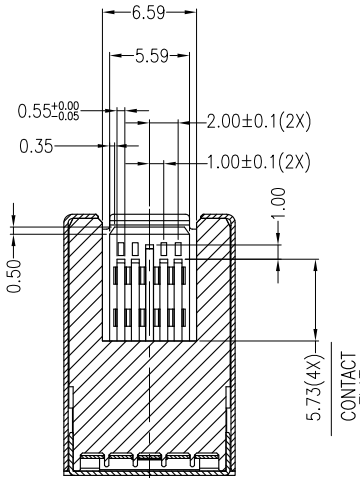


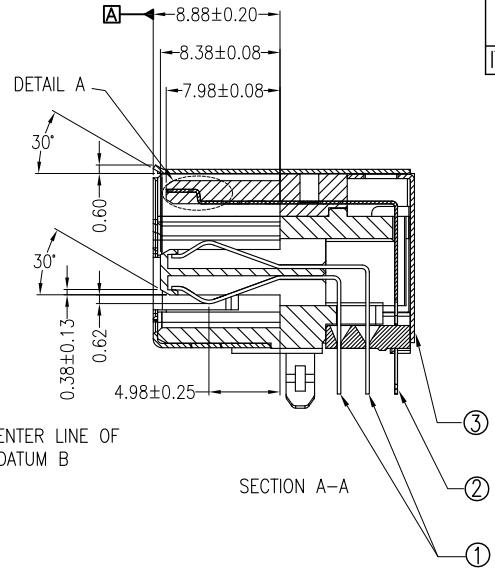
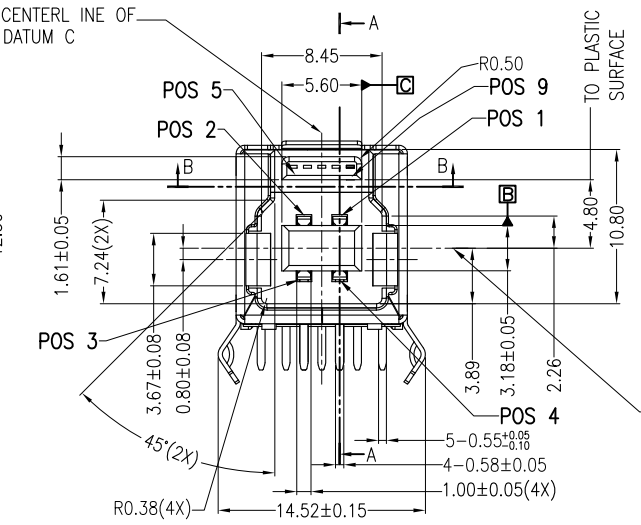
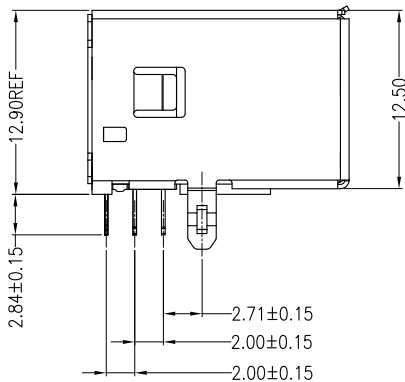
REV	DESCRIPTION	DATE
A	Initial Release	09'.12.17



Electrical Characteristics:

Voltage Rating 30V AC
 Current Rating 1.8 AMP
 Insulation Resistance 100MΩ Min.
 Contact Resistance 30mΩ Max.
 Dielectric Withstanding Voltage 100V AC
 Temperature Range -55°C to +85°C

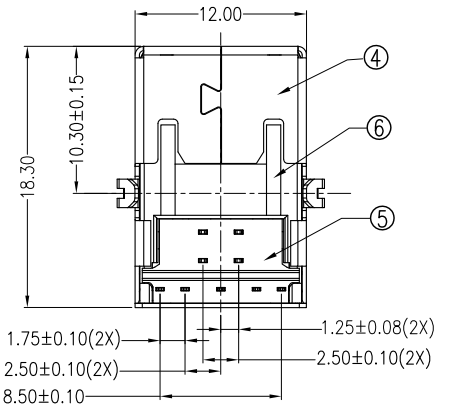
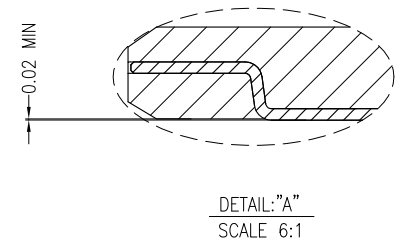
6	HOUSING	HIGH TEMPERATURE THERMOPLASTICS
5	SPACER	HIGH TEMPERATURE THERMOPLASTICS
4	SHELL	COPPER ALLOY T=0.30mm
3	COVER SHELL	SPCC T=0.30mm
2	5P TERMINAL	COPPER ALLOY T=0.20mm
1	2P TERMINAL	COPPER ALLOY T=0.25mm
ITEM	DESC.	MATERIAL



PART NO.

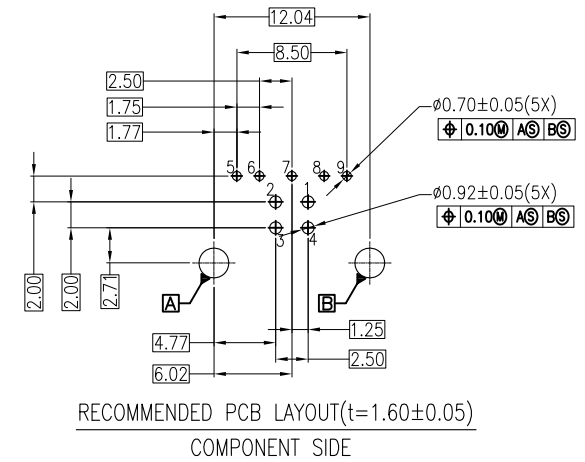
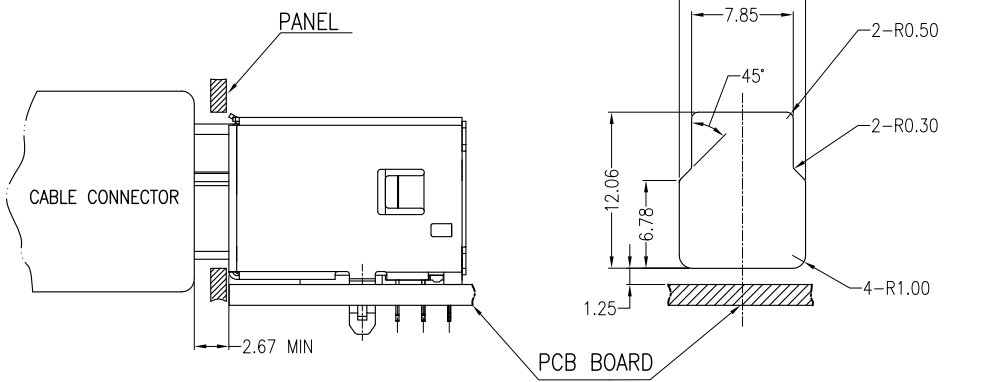
UB3BR01 - 9 F B xx x
 1 2 3 4 5 6

- Type: A or B
- No of Contact: 9 Positions
- F: Receptacle
- Insulator Color: B: Blue
- Contact Plating:
 01: Selective Gold Flash
 03: 3u" Selective Gold
 15: 15u" Selective Gold
 30: 30u" Selective Gold
- Shell Plating:
 J: Nickel
 G: Gold Flash



PANSTRONG COMPANY LTD.		DRAWN BY	TOMMY
		CHECKED	
TITLE: USB 3.0 STANDARD B F DIP 90° TYPE		APPROVED	
PART NO: UB3BR01-9FB		DRAWING NO.	0000404 -1001
SCALE	1.5:1	REV	A
TOLERANCES	DIM. ±0.30		
	ANGLE: ±3°		
UNIT	mm		

REV	DESCRIPTION	DATE
A	Initial Release	09'.12.17



OLD P/N
Note: AK4A * 009 * *
Material | LOGO
A: LCP | 0: NO Logo
B: PET | 1: "MS 3.0" Logo
Contact Apea Plating
P :Au2u"+Pd-Ni30u"
K :Au 30u"
H :Au 15u"
E :Au 5u"
C :Au 3u"
A :G/F

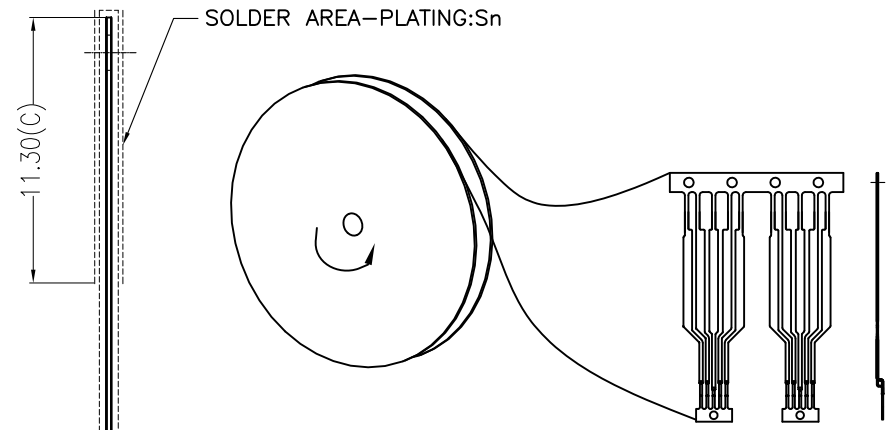
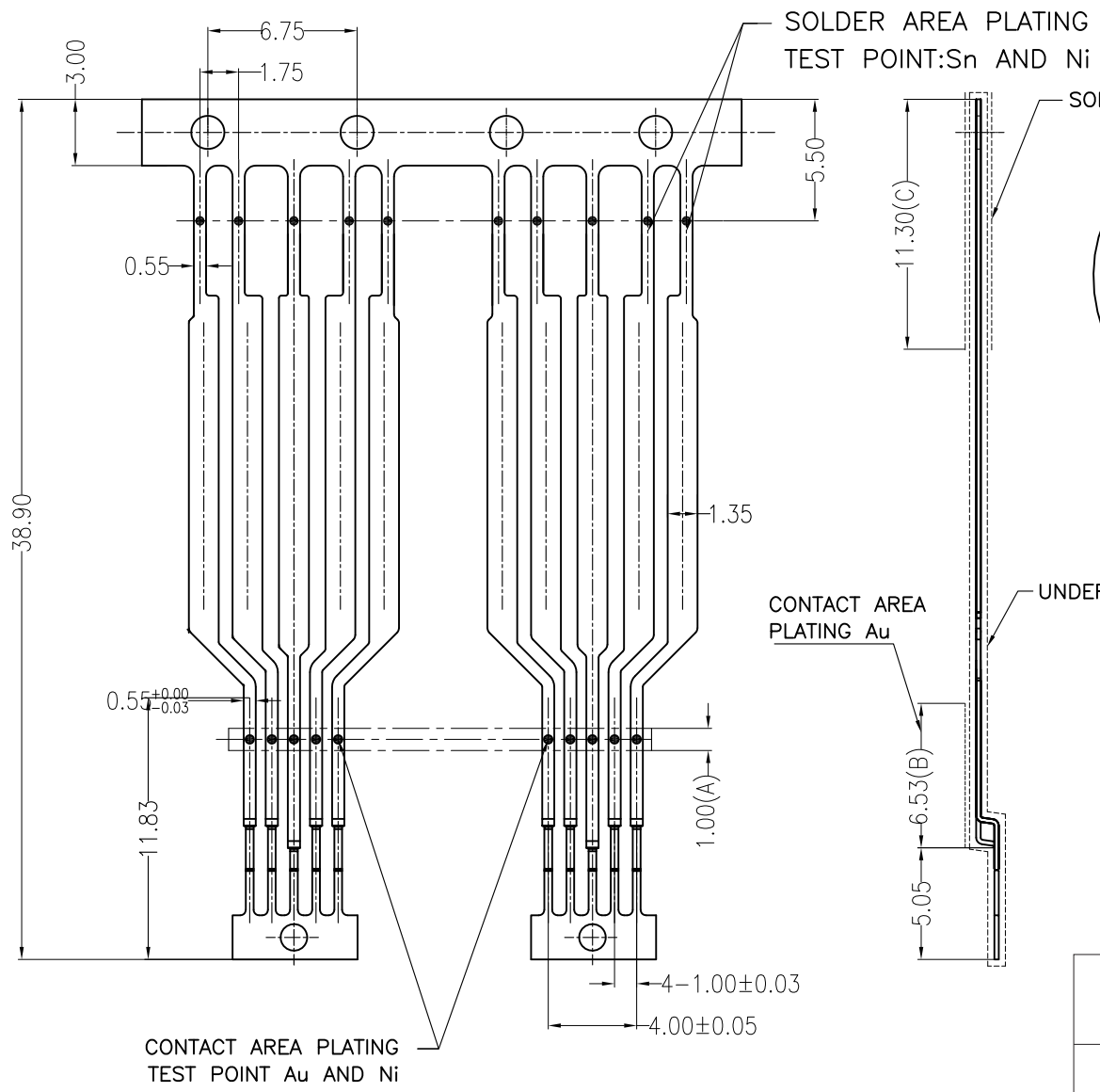
6	HOUSING	HIGH TEMPERATURE THERMOPLASTICS
5	SPACER	HIGH TEMPERATURE THERMOPLASTICS
4	SHELL	COPPER ALLOY T=0.30mm
3	COVER SHELL	SPCC T=0.30mm
2	5P TERMINAL	COPPER ALLOY T=0.20mm
1	2P TERMINAL	COPPER ALLOY T=0.25mm
ITEM	DESC.	MATERIAL

TOLERANCES
DIM. ±0.30
ANGLE: ±3°

PANSTRONG COMPANY LTD.				DRAWN BY		TOMMY	
				CHECKED			
TITLE:		USB 3.0 STANDARD B F DIP 90° TYPE				APPROVED	
PART NO:		UB3BR01-9FB				DRAWING NO.	
SCALE		1.5:1	REV	A	UNIT	mm	
						0000404 -1001	

REV	DESCRIPTION	DATE
A	Initial Release	09'.12.17

ITEM	DESC.	MATERIAL	REMARKS
1	TERMINAL	COPPER ALLOY ($t=0.20\pm 0.01\text{mm}$)	CONTACT AREA :Au SEE NOTE SOLDER AREA: Sn 120~200u"(3~5um) UNDER-PLATING:Ni 30~80u"(0.762~2um)



NOTE:

- Attachment require:
 - It can't have cranny on the surface when check by 10X amplifier after 90° bending test.
 - Return the Original position, it's haven't plating doff, After use "3M" malar cling the surface.
- Salt Spray:24H
- Must use oil sealing treatme.
- Plating thickness tolerances $\pm 20\%$.

CONTACT AREA PLATING

P: Au2u" + Pd-Ni30u"
K: Au30u"
H: Au15u"
E: Au5u"
C: Au3u"
A: G/F

	PANSTRONG COMPANY LTD.		DRAWN BY	TOMMY
			CHECKED	
TITLE:		USB 3.0 STANDARD B F DIP 90° TYPE		APPROVED
PART NO:		UB3BR01-9FB		DRAWING NO.
SCALE		1.5:1	REV	A
		UNIT	mm	

TOLERANCES
DIM. ± 0.30
ANGLE: $\pm 3^\circ$